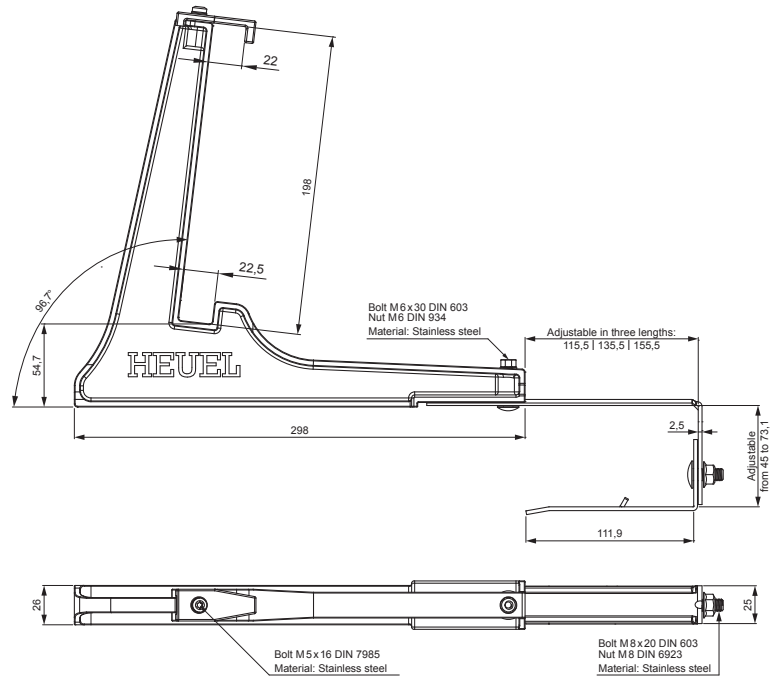


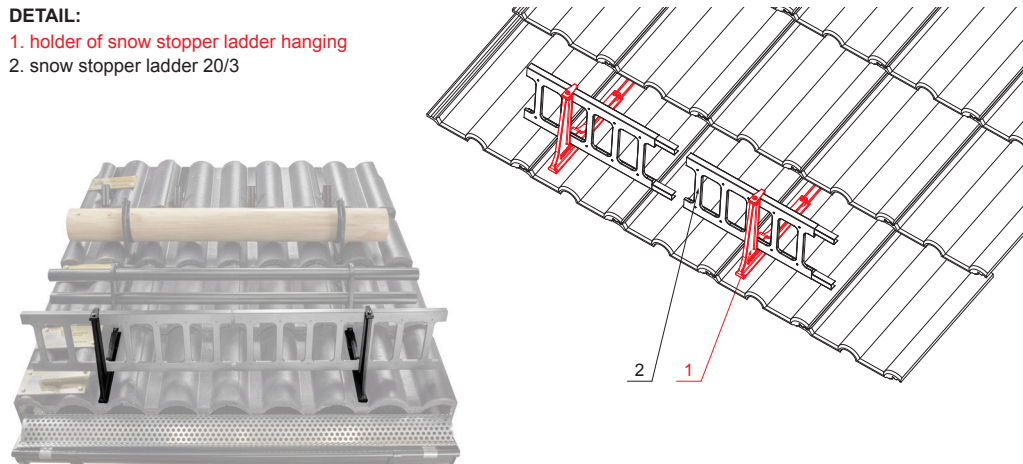
TECHNICAL SHEET

HOLDER OF SNOW STOPPER LADDER HANGING

ZS-HEU PSZ RD 20



- DETAIL:**
- 1. holder of snow stopper ladder hanging
 - 2. snow stopper ladder 20/3



W Aluminium – Natur

INDEX	CHANGE	DATE	SIGNATURE		
MATERIAL BRAND			W.C.	WEIGHT kg	SCALE
SIZE, SEMI-FINISHED PRODUCTS				STN STANDARD	SORTING NUMBER
AUXILIARY EQUIPMENT				NOTE	POSITION NUMBER
ELABORATED BY Ing. Kluska M.					
TESTED BY		TECHNOLOGIST		OLD DRAWING	DRAWING NUMBER
NAME Holder of snow stopper ladder hanging				ZS-HEU PSZ RD 20	
Number of sheets				Sheet	

Created: 04.06.2026 11:22:29

Technical changes reserved