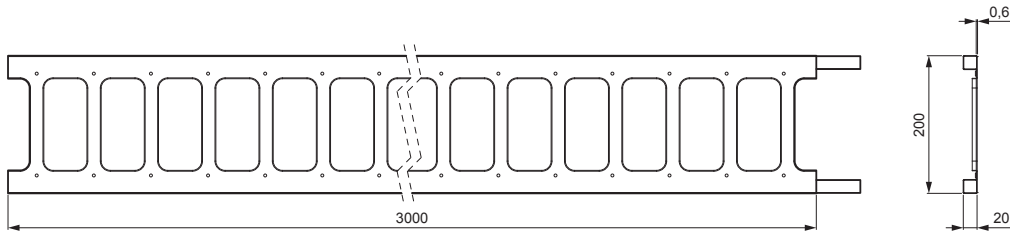


TECHNICAL SHEET

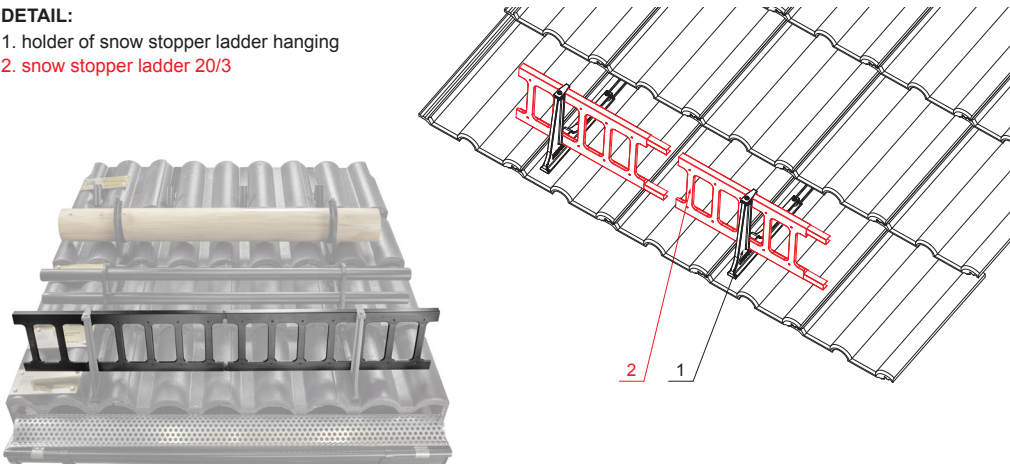
# SNOW STOPPER LADDER 20/3 20/3

# ZS-HEU PSZ R 20/3



**DETAIL:**

- 1. holder of snow stopper ladder hanging
- 2. snow stopper ladder 20/3



**TM** Galvanized steel prepainted – Testa di Moro – RAL 8028

INDEX	CHANGE	DATE	SIGNATURE	<b>KJG</b> QUALITY®	Scan code for 3D model	
MATERIAL BRAND			W.C.	WEIGHT kg	SCALE	
SIZE, SEMI-FINISHED PRODUCTS				STN STANDARD	SORTING NUMBER	
AUXILIARY EQUIPMENT				NOTE	POSITION NUMBER	
ELABORATED BY Ing. Kluska M.						
TESTED BY						
TECHNOLOGIST		TECHNOLOGIST		OLD DRAWING	DRAWING NUMBER	
NAME				ZS-HEU PSZ R 20/3		
Snow stopper ladder 20/3 20/3				Number of sheets		Sheet

Created: 05.06.2026 06:28:23

Technical changes reserved