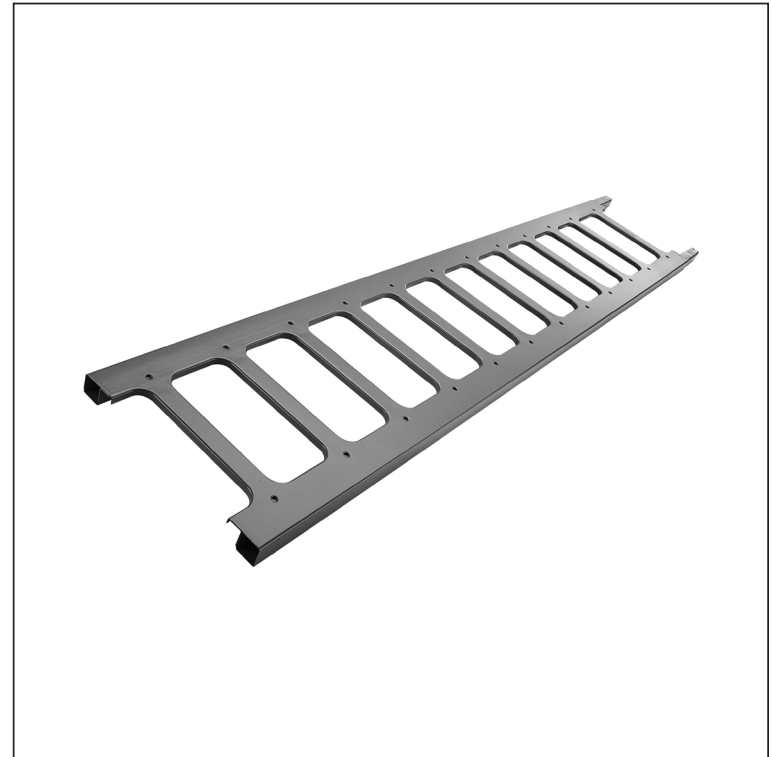
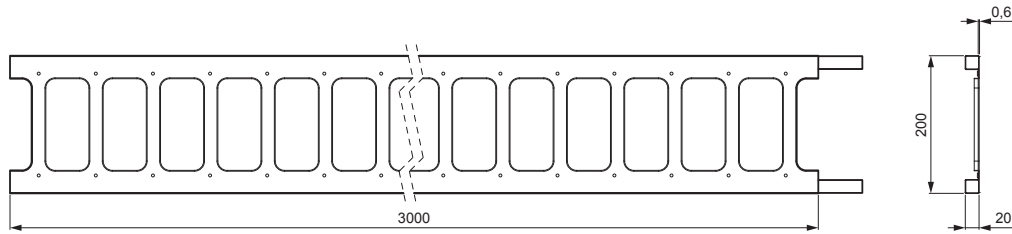


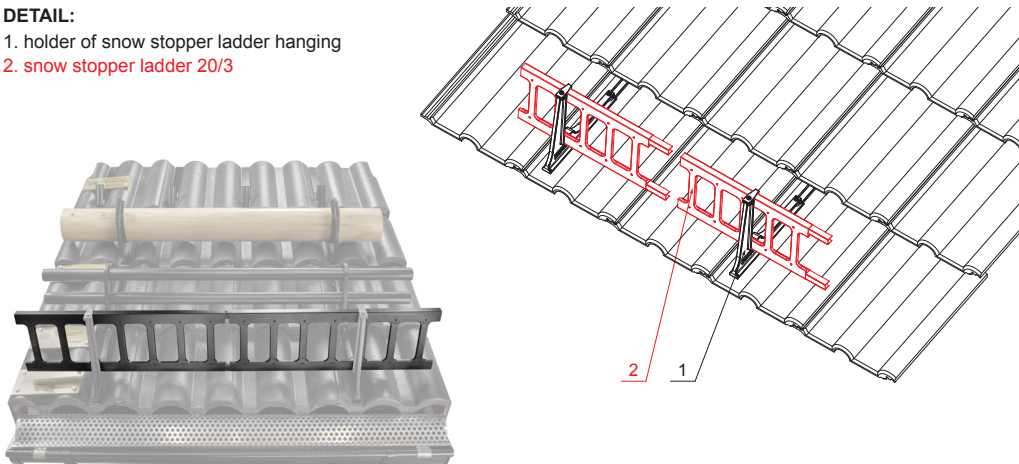
TECHNICAL SHEET

# SNOW STOPPER LADDER 20/3 20/3





# ZS-HEU PSZ R 20/3



- DETAIL:**
- 1. holder of snow stopper ladder hanging
  - 2. snow stopper ladder 20/3



**AN** Galvanized steel prepainted – Anthracite – RAL 7016

INDEX	CHANGE	DATE	SIGNATURE			
MATERIAL BRAND			W.C.	WEIGHT kg	SCALE	
SIZE, SEMI-FINISHED PRODUCTS				STN STANDARD	SORTING NUMBER	
AUXILIARY EQUIPMENT				NOTE	POSITION NUMBER	
ELABORATED BY Ing. Kluska M.						
TESTED BY						
TECHNOLOGIST		TECHNOLOGIST		OLD DRAWING	DRAWING NUMBER	
NAME				ZS-HEU PSZ R 20/3		
Snow stopper ladder 20/3 20/3				Number of sheets		Sheet 

Created: 05.06.2026 09:47:20

Technical changes reserved