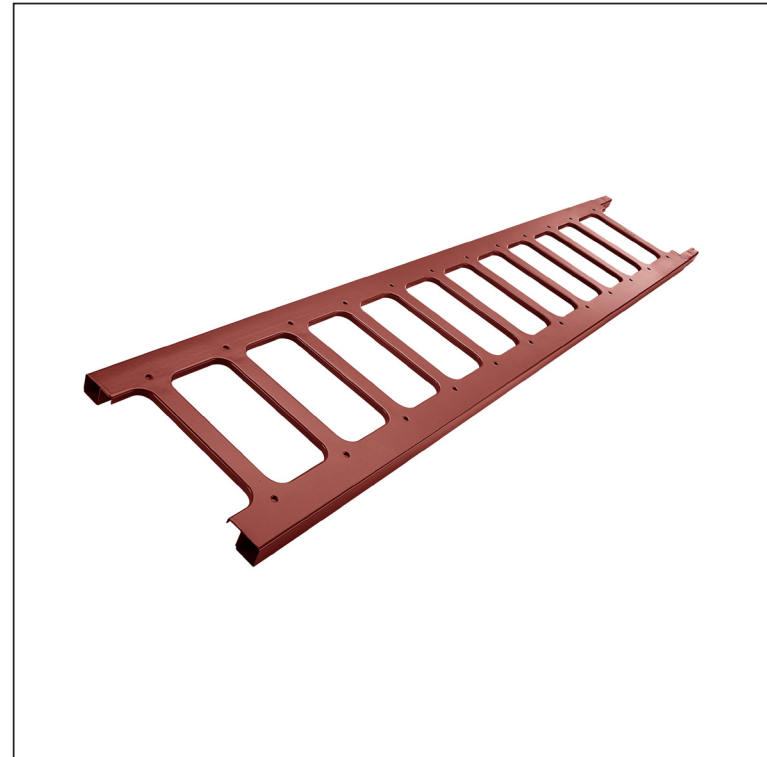
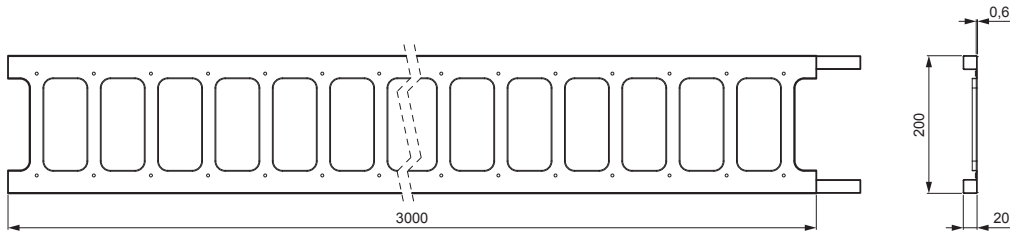


TECHNICAL SHEET

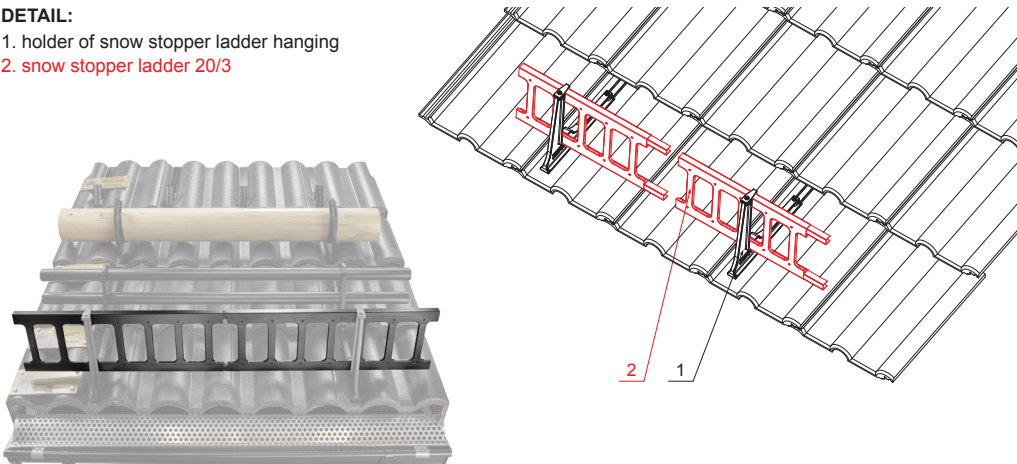
SNOW STOPPER LADDER 20/3 20/3

ZS-HEU PSZ R 20/3



DETAIL:

- 1. holder of snow stopper ladder hanging
- 2. snow stopper ladder 20/3



OC Galvanized steel prepainted – Steel red – RAL 3009

INDEX	CHANGE	DATE	SIGNATURE	KJG QUALITY®	Scan code for 3D model	
MATERIAL BRAND			W.C.	WEIGHT kg	SCALE	
SIZE, SEMI-FINISHED PRODUCTS				STN STANDARD	SORTING NUMBER	
AUXILIARY EQUIPMENT				NOTE	POSITION NUMBER	
ELABORATED BY Ing. Kluska M.						
TESTED BY						
TECHNOLOGIST		TECHNOLOGIST		OLD DRAWING	DRAWING NUMBER	
NAME				ZS-HEU PSZ R 20/3		
Snow stopper ladder 20/3 20/3				Number of sheets		Sheet

Created: 04.06.2026 12:15:43

Technical changes reserved