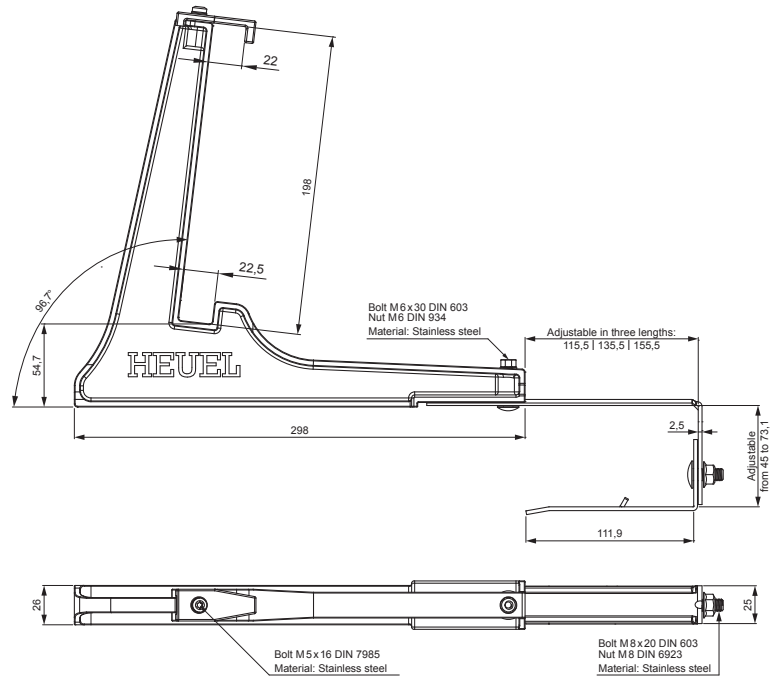


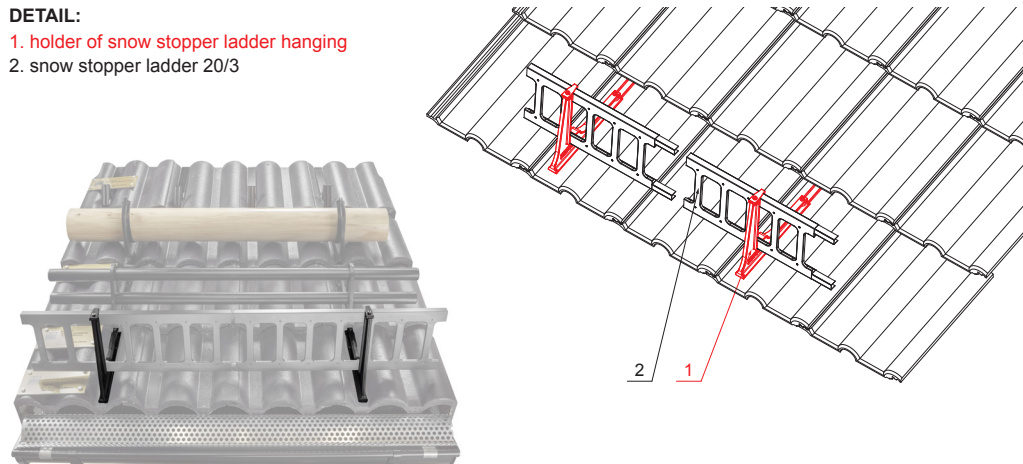
TECHNICAL SHEET

HOLDER OF SNOW STOPPER LADDER HANGING

ZS-HEU PSZ RD 20



- DETAIL:**
 1. holder of snow stopper ladder hanging
 2. snow stopper ladder 20/3



IC Color : Galvanized steel prepainted – Intense black – RAL 9005
 Material: Aluminium – Natur

INDEX	CHANGE	DATE	SIGNATURE	KJG QUALITY®	Scan code for 3D model	
MATERIAL BRAND			W.C.	WEIGHT kg	SCALE	
SIZE, SEMI-FINISHED PRODUCTS				STN STANDARD	SORTING NUMBER	
AUXILIARY EQUIPMENT				NOTE	POSITION NUMBER	
ELABORATED BY Ing. Kluska M.						
TESTED BY						
TECHNOLOGIST		TECHNOLOGIST		OLD DRAWING	DRAWING NUMBER	
NAME Holder of snow stopper ladder hanging				Number of sheets	ZS-HEU PSZ RD 20 Sheet	

Created: 05.06.2026 00:17:25

Technical changes reserved