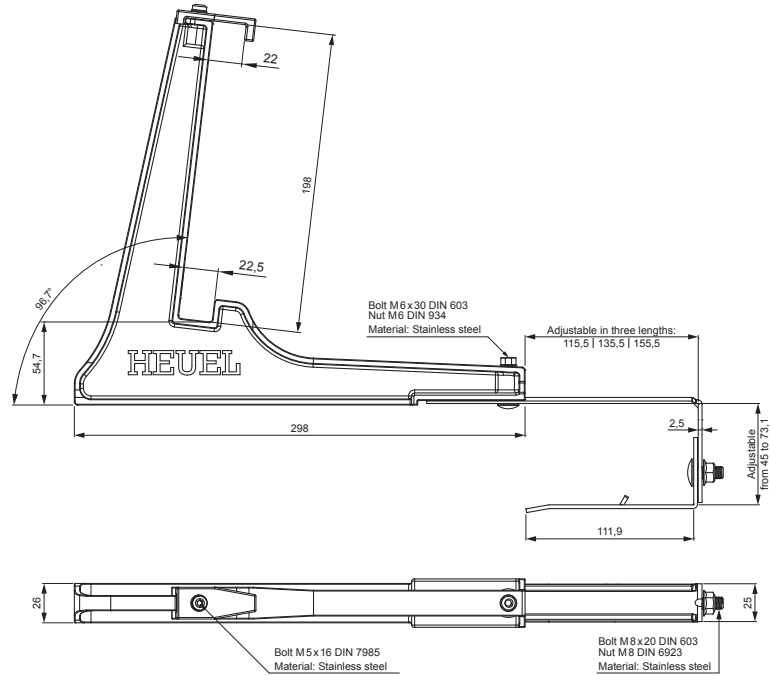


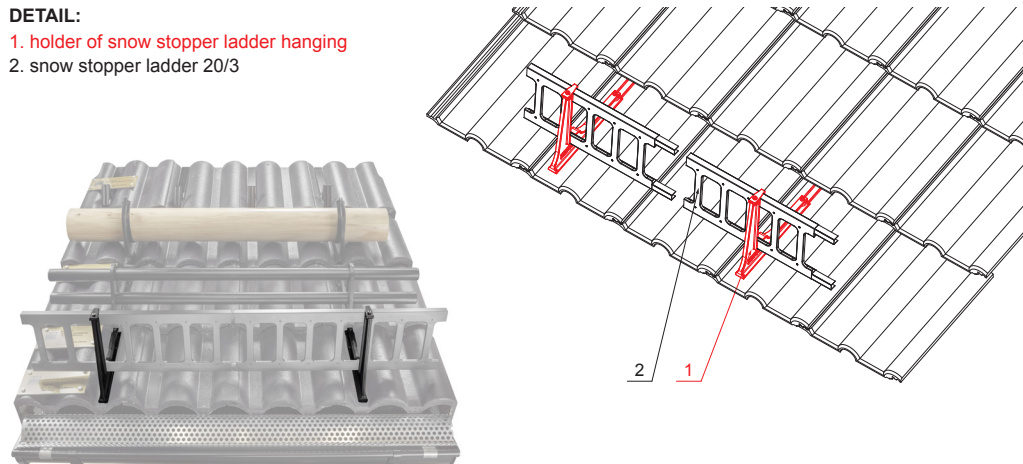
TECHNICAL SHEET

HOLDER OF SNOW STOPPER LADDER HANGING

ZS-HEU PSZ RD 20



- DETAIL:**
- 1. holder of snow stopper ladder hanging
  - 2. snow stopper ladder 20/3



**OC** Color : Galvanized steel pre-painted – Steel red – RAL 3009  
Material: Aluminium – Natur

INDEX	CHANGE	DATE	SIGNATURE	<b>KJG</b> QUALITY®	Scan code for 3D model	
MATERIAL BRAND			W.C.	WEIGHT kg	SCALE	
SIZE, SEMI-FINISHED PRODUCTS				STN STANDARD	SORTING NUMBER	
AUXILIARY EQUIPMENT				NOTE	POSITION NUMBER	
ELABORATED BY Ing. Kluska M.						
TESTED BY						
TECHNOLOGIST				OLD DRAWING	DRAWING NUMBER	
NAME Holder of snow stopper ladder hanging				ZS-HEU PSZ RD 20		
				Number of sheets		Sheet

Created: 05.06.2026 20:13:27

Technical changes reserved