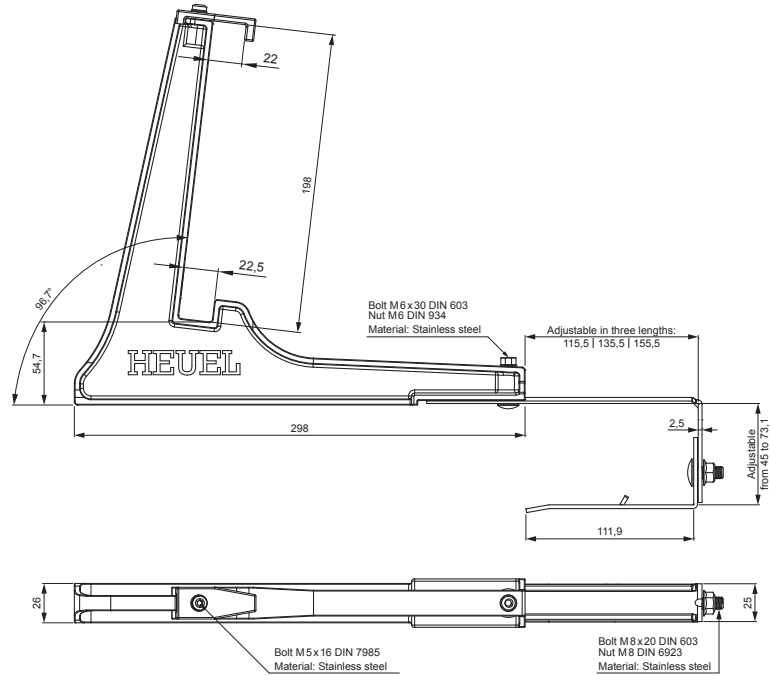


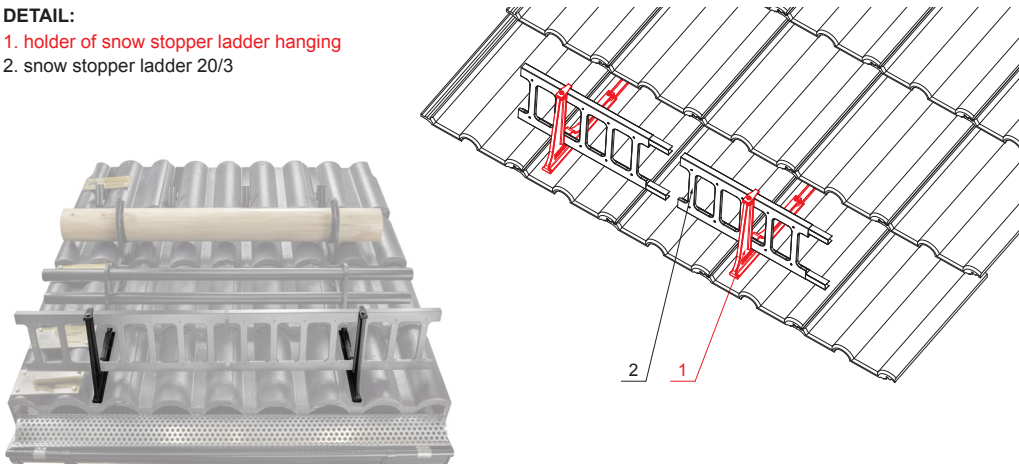
TECHNICAL SHEET

HOLDER OF SNOW STOPPER LADDER HANGING

ZS-HEU PSZ RD 20



- DETAIL:**
- 1. holder of snow stopper ladder hanging
 - 2. snow stopper ladder 20/3



MH Color : Galvanized steel pre-painted – Copper brown – RAL 8004
Material: Aluminium – Natur

INDEX	CHANGE	DATE	SIGNATURE	KJG QUALITY®	Scan code for 3D model	
MATERIAL BRAND			W.C.	WEIGHT kg	SCALE	
SIZE, SEMI-FINISHED PRODUCTS				STN STANDARD	SORTING NUMBER	
AUXILIARY EQUIPMENT				NOTE	POSITION NUMBER	
ELABORATED BY Ing. Kluska M.						
TESTED BY						
TECHNOLOGIST		TECHNOLOGIST		OLD DRAWING	DRAWING NUMBER	
NAME Holder of snow stopper ladder hanging				ZS-HEU PSZ RD 20		
				Number of sheets		Sheet

Created: 05.06.2026 06:45:36

Technical changes reserved