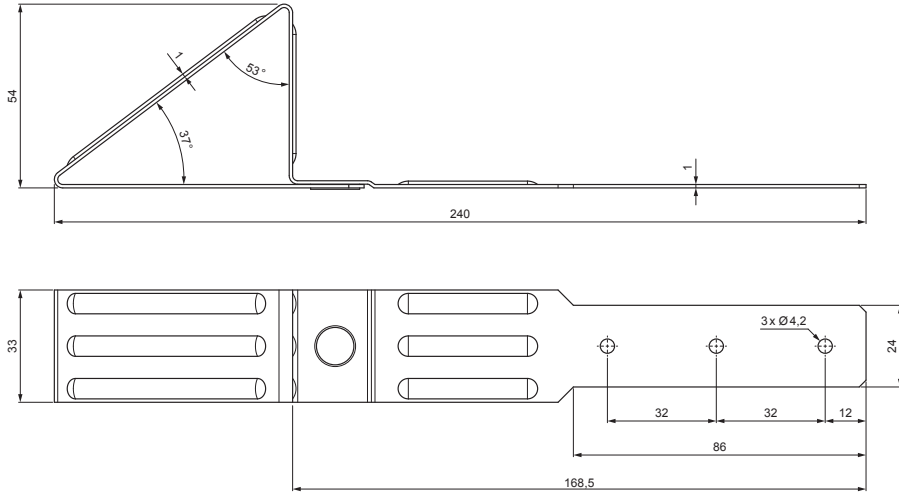


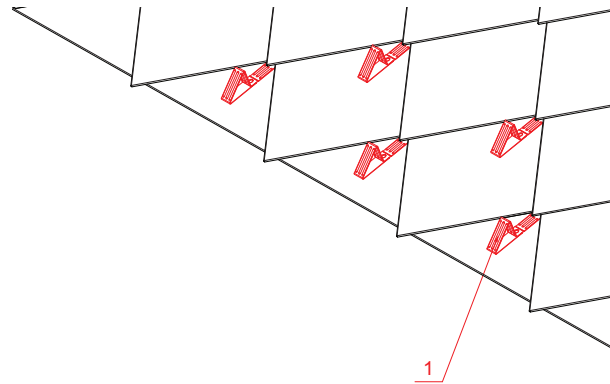
TECHNICAL SHEET

NOSE SNOW STOPPER FOR RHOMBOID ROOF




KRS-NSZN



DETAIL:
1. nose snow stopper for rhomboid roof tile



304 2B Stainless steel – AISI 304 2B – MATT

INDEX	CHANGE	DATE	SIGNATURE			
MATERIAL BRAND			W.C.	WEIGHT kg	SCALE	
SIZE, SEMI-FINISHED PRODUCTS					STN STANDARD	
AUXILIARY EQUIPMENT					SORTING NUMBER	
ELABORATED BY Ing. Kluska M.					NOTE	
TESTED BY					POSITION NUMBER	
TECHNOLOGIST		TECHNOLOGIST		OLD DRAWING	DRAWING NUMBER	
NAME			Nose snow stopper for rhomboid roof tile		Number of sheets	KRS-NSZN Sheet

Created: 06.06.2026 20:53:04

Technical changes reserved