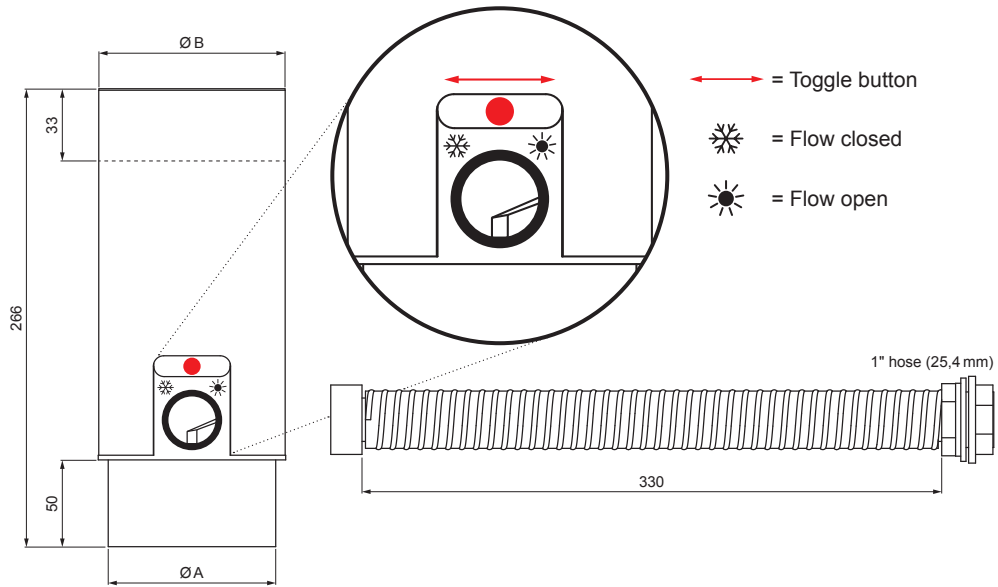


TECHNICAL SHEET

WATER COLLECTOR WITH HOSE AND KNOB


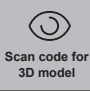


W-WZVHAG



W Aluminium – Natur



Dimensions [mm]		
Nominal size	A	B
80	77	81
100	97	101

INDEX	CHANGE	DATE	SIGNATURE			
MATERIAL BRAND			W.C.	WEIGHT kg	SCALE	
SIZE, SEMI-FINISHED PRODUCTS			AUXILIARY EQUIPMENT		STN STANDARD	SORTING NUMBER
ELABORATED BY Ing. Kluska M.			TESTED BY		NOTE	
TECHNOLOGIST		TECHNOLOGIST	OLD DRAWING		DRAWING NUMBER	
NAME			Water Collector with hose and knob		Number of sheets	W-WZVHAG Sheet 

Created: 06.06.2026 10:11:57

Technical changes reserved