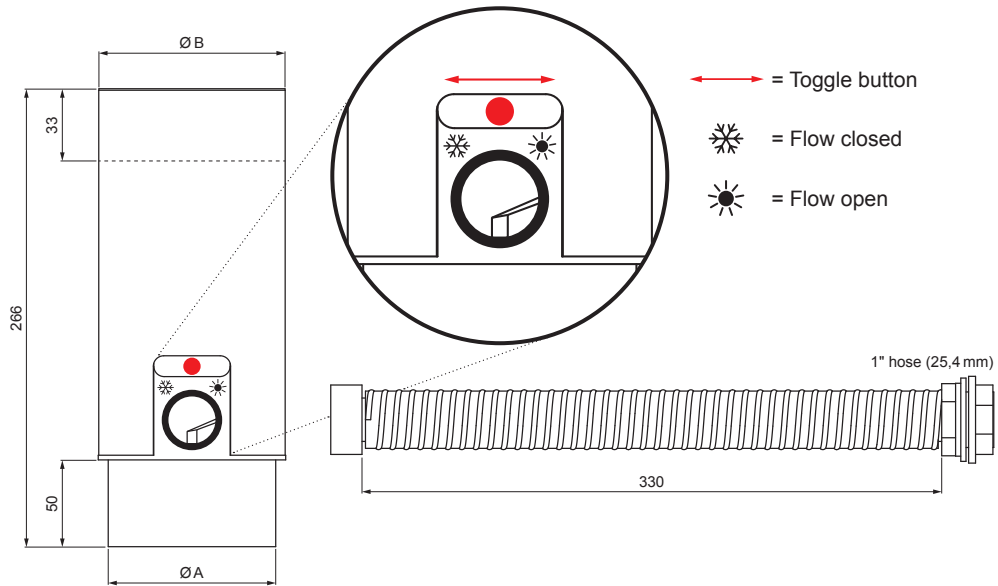


TECHNICAL SHEET

WATER COLLECTOR WITH HOSE AND KNOB





M-MZVHAG



M Copper – Natur



| Dimensions [mm] | | |
|-----------------|----|-----|
| Nominal size | A | B |
| 80 | 77 | 81 |
| 100 | 97 | 101 |

| | | | | | | |
|------------------------------|--------|------|------------------------------------|---|---|--|
| INDEX | CHANGE | DATE | SIGNATURE |  |  |  |
| | | | | | | |
| MATERIAL BRAND | | | W.C. | WEIGHT kg | SCALE | |
| SIZE, SEMI-FINISHED PRODUCTS | | | AUXILIARY EQUIPMENT | | STN STANDARD | SORTING NUMBER |
| ELABORATED BY Ing. Kluska M. | | | TESTED BY | | NOTE | |
| TECHNOLOGIST | | | TECHNOLOGIST | OLD DRAWING | DRAWING NUMBER | |
| NAME | | | Water Collector with hose and knob | | Number of sheets | M-MZVHAG Sheet  |

Created: 04.06.2026 17:41:23

Technical changes reserved