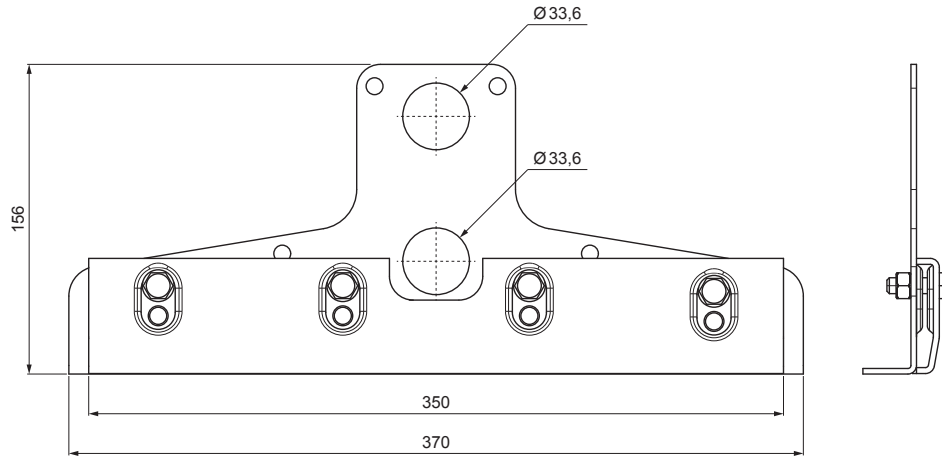


TECHNICAL SHEET

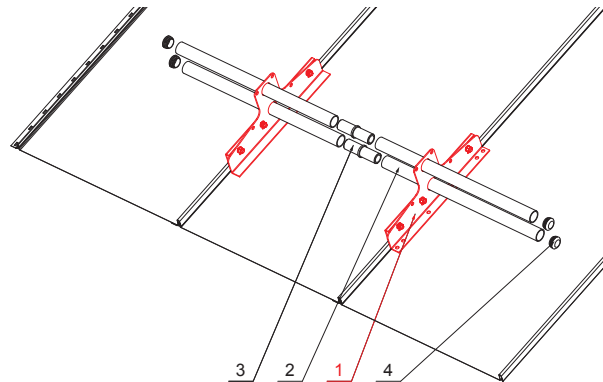
SNOW STOPPER TWO-PIPE

ZS-CLICK ND 2







DETAIL:

- 1. snow stopper two-pipe
- 2. pipe for snow stopper
- 3. PVC pipe coupling for snow stopper
- 4. PVC pipe end cap for snow stopper



ANM Galvanized steel prepainted MATT – Anthracite MATT – RAL 7016

INDEX	CHANGE	DATE	SIGNATURE			
MATERIAL BRAND			W.C.	WEIGHT kg	SCALE	
SIZE, SEMI-FINISHED PRODUCTS				STN STANDARD	SORTING NUMBER	
AUXILIARY EQUIPMENT				NOTE	POSITION NUMBER	
ELABORATED BY Ing. Kluska M.						
TESTED BY						
TECHNOLOGIST		TECHNOLOGIST		OLD DRAWING	DRAWING NUMBER	
NAME				Number of sheets		
Snow stopper two-pipe				ZS-CLICK ND 2		
				Sheet 		

Created: 05.06.2026 20:20:46

Technical changes reserved

