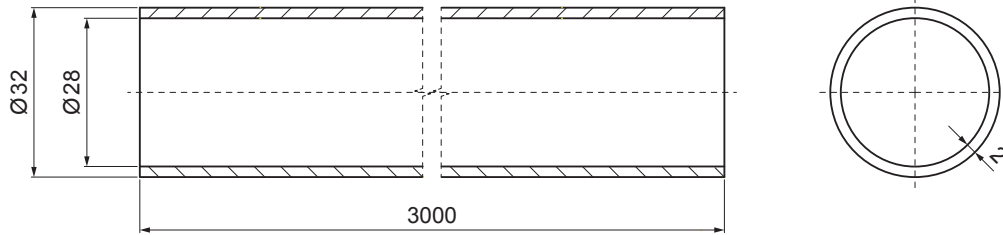


TECHNICAL SHEET

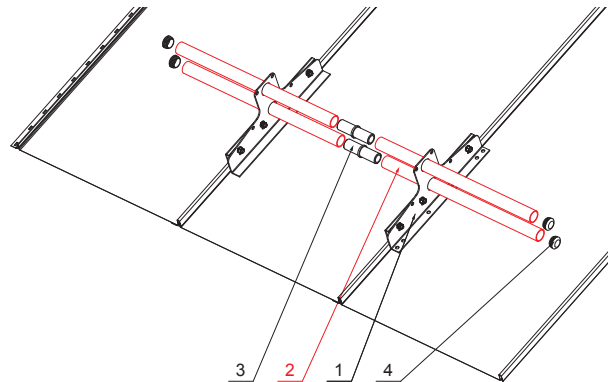
PIPE FOR SNOW STOPPER

ZS-W.15ZSF RU 32







DETAIL:

1. snow stopper two-pipe
2. pipe for snow stopper
3. PVC pipe coupling for snow stopper
4. PVC pipe end cap for snow stopper



ANM Aluminium pre-painted W.15 – Anthracite W.15 – RAL 7016

INDEX	CHANGE	DATE	SIGNATURE			
MATERIAL BRAND			W.C.	WEIGHT kg	SCALE	
SIZE, SEMI-FINISHED PRODUCTS					STN STANDARD	
AUXILIARY EQUIPMENT					SORTING NUMBER	
ELABORATED BY Ing. Kluska M.					NOTE	
TESTED BY					POSITION NUMBER	
TECHNOLOGIST		TECHNOLOGIST		OLD DRAWING	DRAWING NUMBER	
NAME			Pipe for snow stopper		ZS-W.15ZSF RU 32	
			Number of sheets		Sheet 	

Created: 04.06.2026 07:42:35

Technical changes reserved