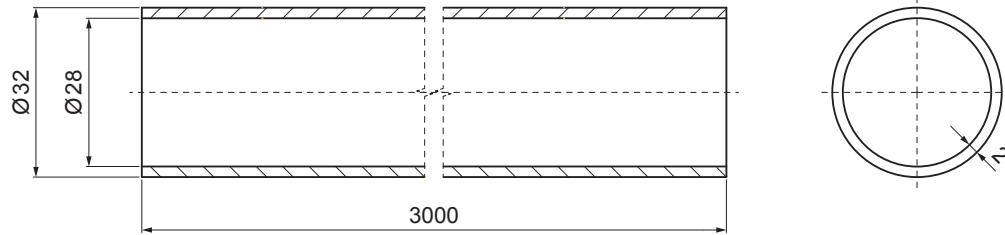


TECHNICAL SHEET

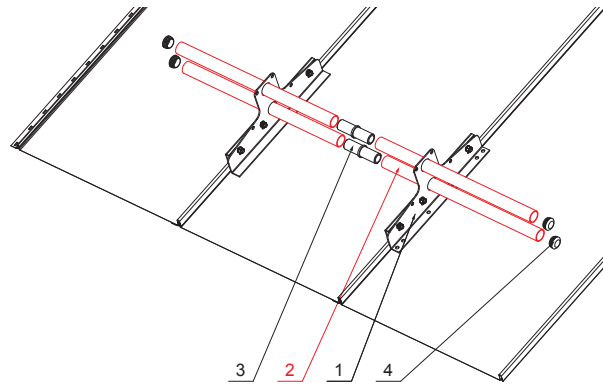
# PIPE FOR SNOW STOPPER

## ZS-W.15ZSF RU 32







**DETAIL:**

1. snow stopper two-pipe
2. pipe for snow stopper
3. PVC pipe coupling for snow stopper
4. PVC pipe end cap for snow stopper



**TMM** Aluminium pre-painted W.15 – Testa di Moro W.15 – RAL 8028

INDEX	CHANGE	DATE	SIGNATURE			
MATERIAL BRAND			W.C.	WEIGHT kg	SCALE	
SIZE, SEMI-FINISHED PRODUCTS					STN STANDARD	
AUXILIARY EQUIPMENT					SORTING NUMBER	
ELABORATED BY Ing. Kluska M.					NOTE	
TESTED BY					POSITION NUMBER	
TECHNOLOGIST		TECHNOLOGIST		OLD DRAWING	DRAWING NUMBER	
NAME			Pipe for snow stopper		ZS-W.15ZSF RU 32	
			Number of sheets		Sheet 	

Created: 05.06.2026 05:52:55

Technical changes reserved