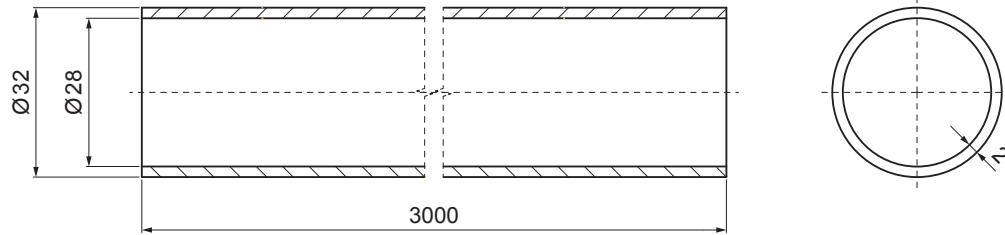


TECHNICAL SHEET

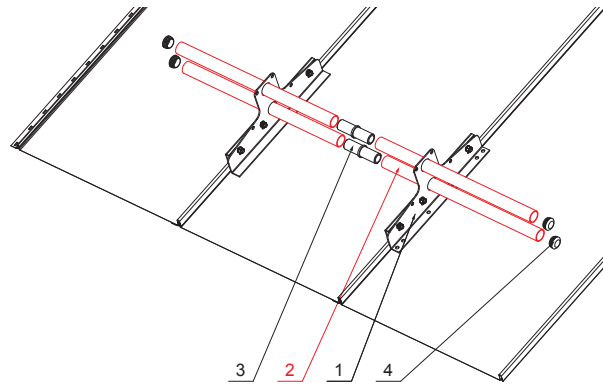
PIPE FOR SNOW STOPPER

ZS-W.15ZSF RU 32







DETAIL:

- 1. snow stopper two-pipe
- 2. pipe for snow stopper
- 3. PVC pipe coupling for snow stopper
- 4. PVC pipe end cap for snow stopper



OCM Aluminium pre-painted W.15 – Steel red W.15 – RAL 3009

INDEX CHANGE		DATE	SIGNATURE			
MATERIAL BRAND			W.C.	WEIGHT kg	SCALE	
SIZE, SEMI-FINISHED PRODUCTS			STN STANDARD		SORTING NUMBER	
AUXILIARY EQUIPMENT			NOTE		POSITION NUMBER	
ELABORATED BY Ing. Kluska M.						
TESTED BY						
TECHNOLOGIST		TECHNOLOGIST	OLD DRAWING		DRAWING NUMBER	
NAME			Pipe for snow stopper		ZS-W.15ZSF RU 32	
			Number of sheets		Sheet 	

Created: 06.06.2026 00:09:51

Technical changes reserved

