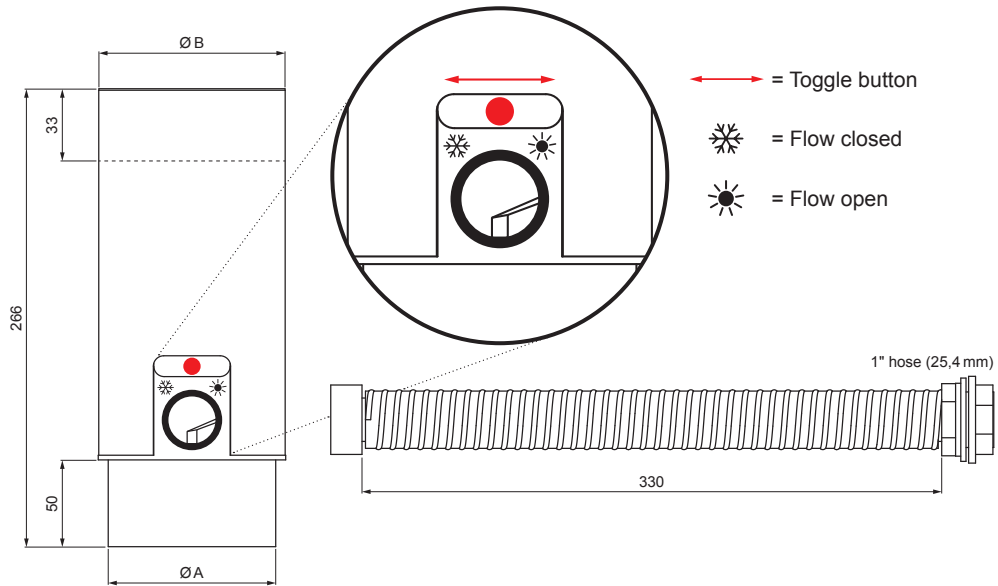


TECHNICAL SHEET

WATER COLLECTOR WITH HOSE AND KNOB

P-PZVHAG



AN Color : Galvanized steel pre-painted – Anthracite – RAL 7016
Material: Aluminium – Natur

INDEX	CHANGE	DATE	SIGNATURE	KJG QUALITY®	Scan code for 3D model	
MATERIAL BRAND			W.C.	WEIGHT kg	SCALE	
SIZE, SEMI-FINISHED PRODUCTS			STN STANDARD		SORTING NUMBER	
AUXILIARY EQUIPMENT			NOTE		POSITION NUMBER	
ELABORATED BY Ing. Kluska M.			OLD DRAWING		DRAWING NUMBER	
TESTED BY			TECHNOLOGIST		DRAWING NUMBER	
NAME			Water Collector with hose and knob		Number of sheets	
					P-PZVHAG Sheet	

Created: 17.04.2026 06:27:05

Technical changes reserved

Dimensions [mm]		
Nominal size	A	B
80	77	81
100	97	101