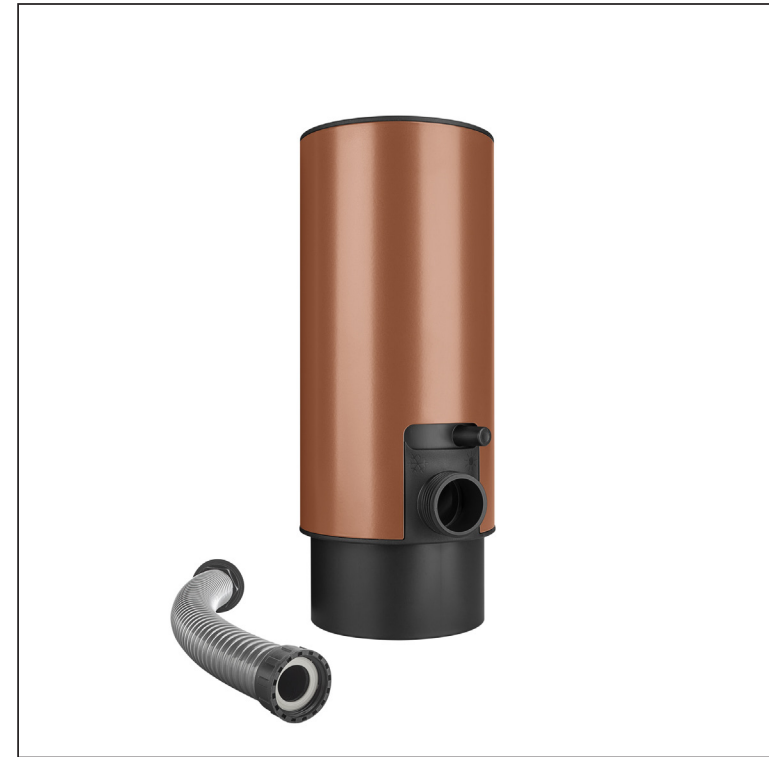


TECHNICAL SHEET

WATER COLLECTOR WITH HOSE AND KNOB




P-PZVHAG



MH Color : Galvanized steel pre-painted – Copper brown – RAL 8004
Material: Aluminium – Natur



Dimensions [mm]		
Nominal size	A	B
80	77	81
100	97	101

INDEX	CHANGE	DATE	SIGNATURE		
MATERIAL BRAND			W.C.	WEIGHT kg	SCALE
SIZE, SEMI-FINISHED PRODUCTS				STN STANDARD	SORTING NUMBER
AUXILIARY EQUIPMENT				NOTE	POSITION NUMBER
ELABORATED BY Ing. Kluska M.				OLD DRAWING	DRAWING NUMBER
TESTED BY					
TECHNOLOGIST		TECHNOLOGIST		Number of sheets	P-PZVHAG Sheet 
NAME			Water Collector with hose and knob		

Created: 07.06.2026 08:41:30

Technical changes reserved