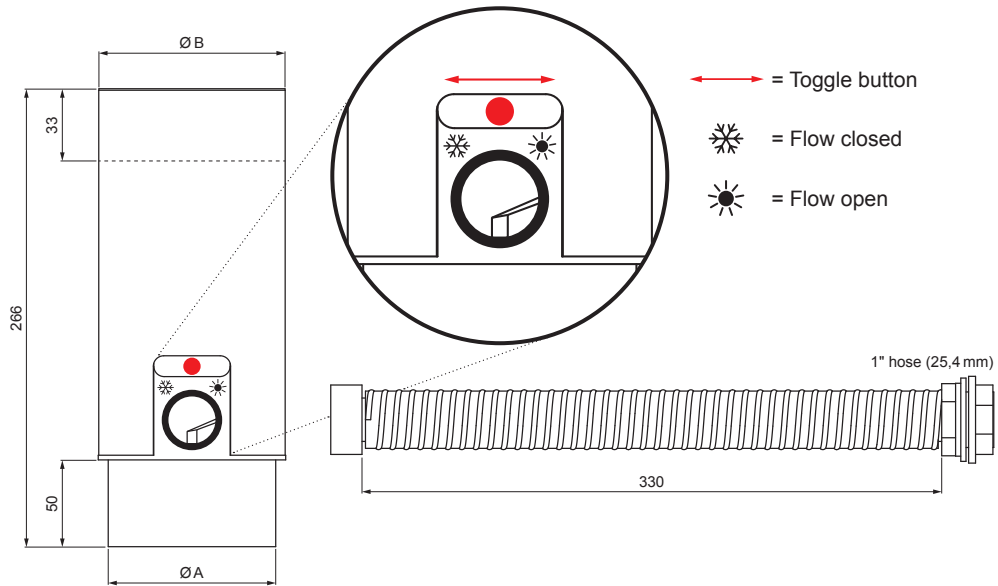


TECHNICAL SHEET


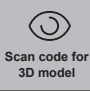


WATER COLLECTOR WITH HOSE AND KNOB

P-PZVHAG



SB Color : Galvanized steel prepainted – Grey white – RAL 9002
Material: Aluminium – Natur

Dimensions [mm]		
Nominal size	A	B
80	77	81
100	97	101

INDEX	CHANGE	DATE	SIGNATURE			
MATERIAL BRAND			W.C.	WEIGHT kg	SCALE	
SIZE, SEMI-FINISHED PRODUCTS			STN STANDARD		SORTING NUMBER	
AUXILIARY EQUIPMENT			NOTE		POSITION NUMBER	
ELABORATED BY Ing. Kluska M.			OLD DRAWING		DRAWING NUMBER	
TESTED BY			NAME		Number of sheets	
TECHNOLOGIST			Water Collector with hose and knob		P-PZVHAG Sheet 	

Created: 22.04.2026 10:58:53

Technical changes reserved