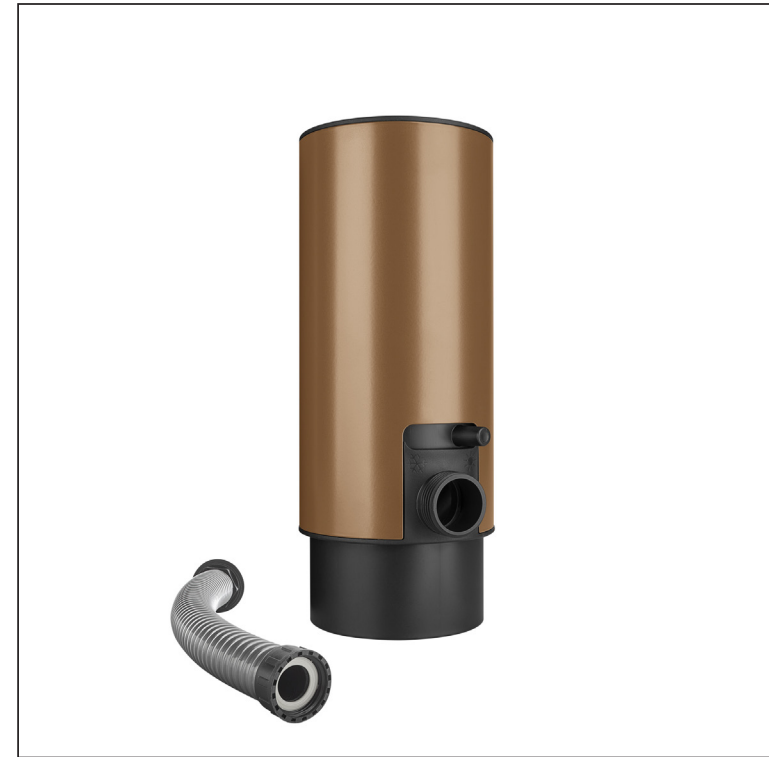
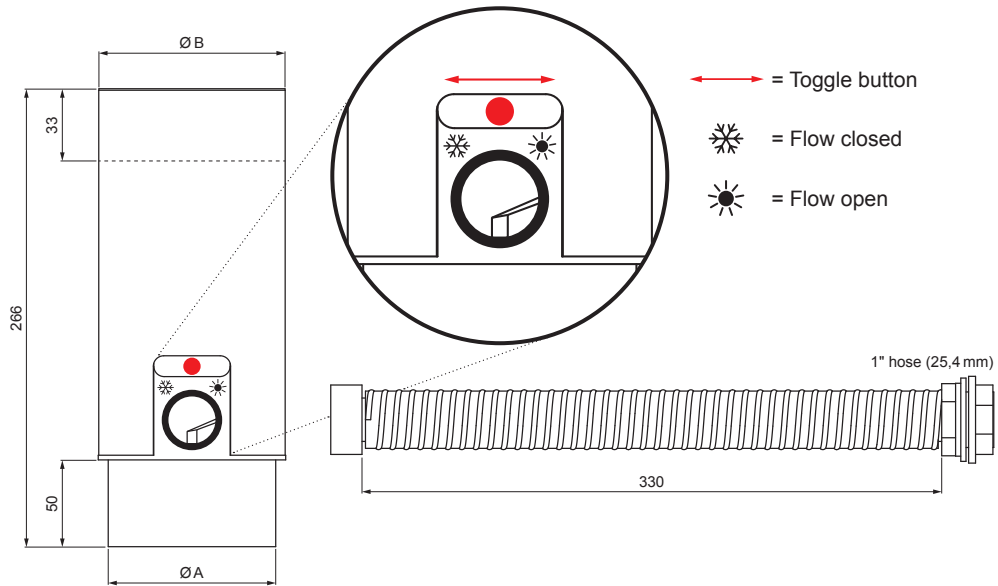


TECHNICAL SHEET

WATER COLLECTOR WITH HOSE AND KNOB




P-PZVHAG



MM Color : Galvanized steel pre-painted – Metallic copper – RAL extra
Material: Aluminium – Natur



Dimensions [mm]		
Nominal size	A	B
80	77	81
100	97	101

INDEX	CHANGE	DATE	SIGNATURE		
MATERIAL BRAND			W.C.	WEIGHT kg	SCALE
SIZE, SEMI-FINISHED PRODUCTS				STN STANDARD	SORTING NUMBER
AUXILIARY EQUIPMENT				NOTE	POSITION NUMBER
ELABORATED BY Ing. Kluska M.				OLD DRAWING	DRAWING NUMBER
TESTED BY					
TECHNOLOGIST			TECHNOLOGIST		
NAME			Water Collector with hose and knob		
			Number of sheets	P-PZVHAG	Sheet 

Created: 20.04.2026 10:44:47

Technical changes reserved