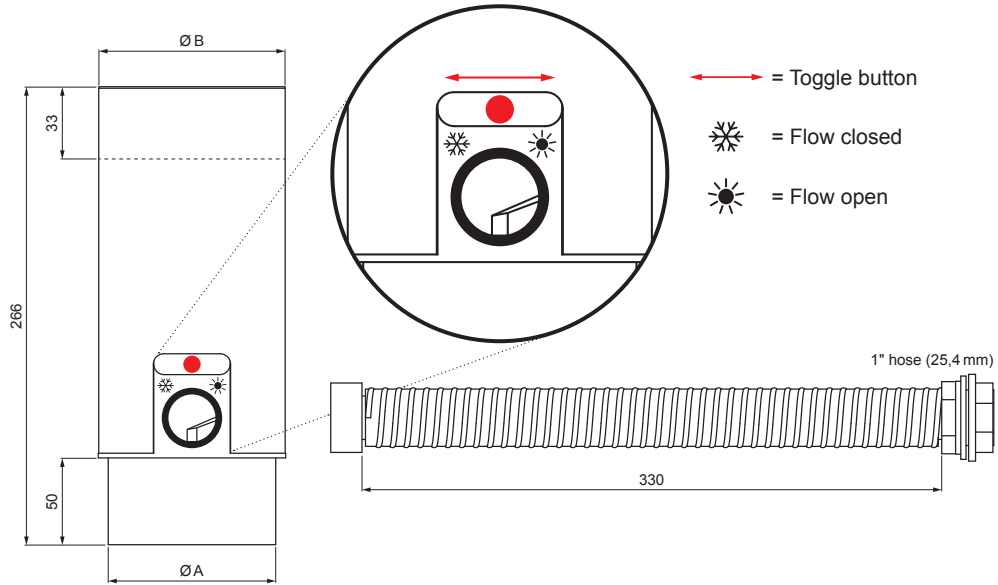


TECHNICAL SHEET

WATER COLLECTOR WITH HOSE AND KNOB




W-WZVHAG



SS Aluminium pre-painted – Mouse grey – RAL 7005



Dimensions [mm]		
Nominal size	A	B
80	77	81
100	97	101

INDEX	CHANGE	DATE	SIGNATURE		
MATERIAL BRAND			W.C.	WEIGHT kg	SCALE
SIZE, SEMI-FINISHED PRODUCTS			STN STANDARD		SORTING NUMBER
AUXILIARY EQUIPMENT			NOTE		POSITION NUMBER
ELABORATED BY Ing. Kluska M.			OLD DRAWING		DRAWING NUMBER
TESTED BY			TECHNOLOGIST		
NAME			Water Collector with hose and knob		Number of sheets
			W-WZVHAG		Sheet 

Created: 06.03.2026 13:14:15

Technical changes reserved