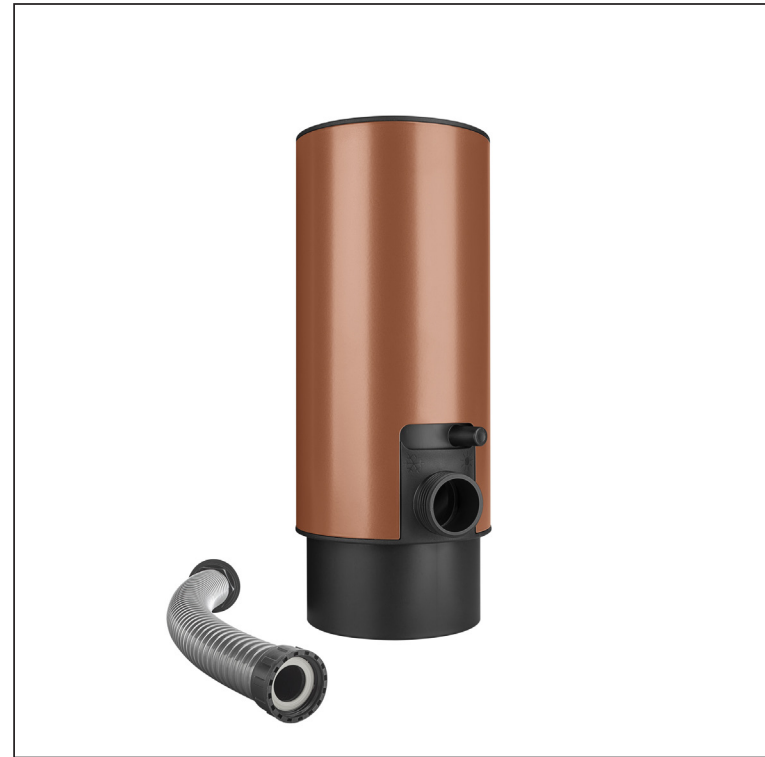


TECHNICAL SHEET

WATER COLLECTOR WITH HOSE AND KNOB

W-WZVHAG



MH Aluminium pre-painted – Copper brown – RAL 8004



Dimensions [mm]		
Nominal size	A	B
80	77	81
100	97	101

INDEX	CHANGE	DATE	SIGNATURE	KJG QUALITY®	Scan code for 3D model
MATERIAL BRAND			W.C.	WEIGHT kg	SCALE
SIZE, SEMI-FINISHED PRODUCTS				STN STANDARD	SORTING NUMBER
AUXILIARY EQUIPMENT				NOTE	POSITION NUMBER
ELABORATED BY Ing. Kluska M.				OLD DRAWING	DRAWING NUMBER
TESTED BY					
TECHNOLOGIST			TECHNOLOGIST		
NAME			Water Collector with hose and knob		Number of sheets
					W-WZVHAG Sheet

Created: 06.06.2026 17:31:49

Technical changes reserved