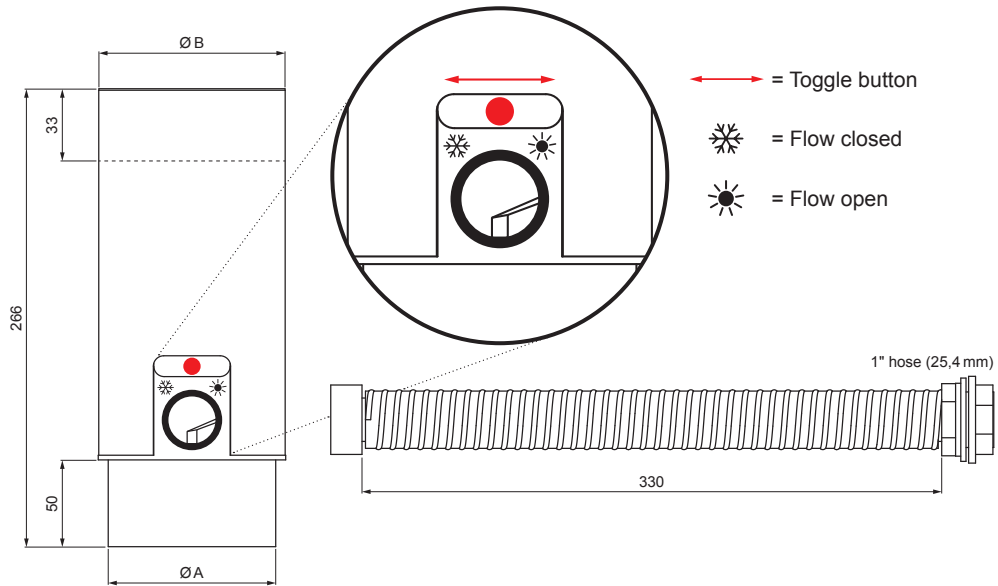


TECHNICAL SHEET

# WATER COLLECTOR WITH HOSE AND KNOB

# P-PZVHAG



**IC** Color : Galvanized steel prepainted – Intense black – RAL 9005  
Material: Aluminium – Natur

INDEX	CHANGE	DATE	SIGNATURE	<b>KJG</b> QUALITY®	Scan code for 3D model	
MATERIAL BRAND			W.C.	WEIGHT kg	SCALE	
SIZE, SEMI-FINISHED PRODUCTS			AUXILIARY EQUIPMENT		STN STANDARD	SORTING NUMBER
ELABORATED BY Ing. Kluska M.			TESTED BY		NOTE	POSITION NUMBER
TECHNOLOGIST		TECHNOLOGIST	OLD DRAWING		DRAWING NUMBER	
NAME Water Collector with hose and knob			Number of sheets		P-PZVHAG Sheet	

Created: 06.06.2026 12:02:53

Technical changes reserved

Dimensions [mm]		
Nominal size	A	B
80	77	81
100	97	101