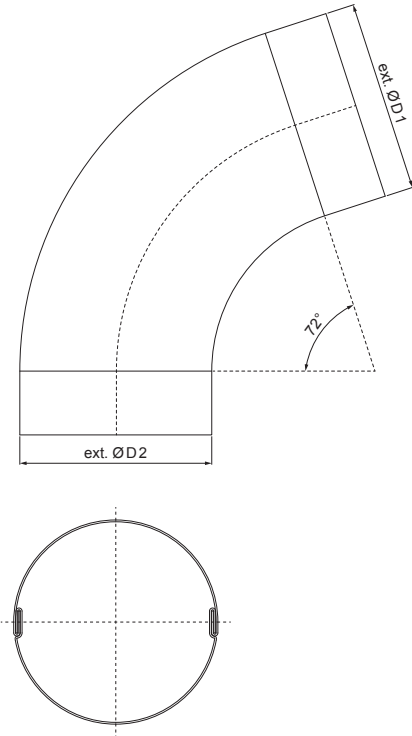


TECHNICAL SHEET

ELBOW FOLDED 72°

P-PKF2



TM Galvanized steel pre-painted – Testa di Moro – RAL 8028

Dimensions [mm]		
Nominal size	Ø D 1	Ø D 2
60	60,7	58,7
80	80,4	79,0
100	100,4	99,0
120	120,3	119,0

INDEX	CHANGE	DATE	SIGNATURE	KJG QUALITY®	Scan code for 3D model
MATERIAL BRAND			W.C.	WEIGHT kg	SCALE
SIZE, SEMI-FINISHED PRODUCTS					
AUXILIARY EQUIPMENT			STN STANDARD		SORTING NUMBER
ELABORATED BY Ing. Kluska M.			NOTE		POSITION NUMBER
TESTED BY					
TECHNOLOGIST		TECHNOLOGIST	OLD DRAWING		DRAWING NUMBER
NAME Elbow folded 72°			Number of sheets		P-PKF2 Sheet

Created: 06.06.2026 06:29:22

Technical changes reserved