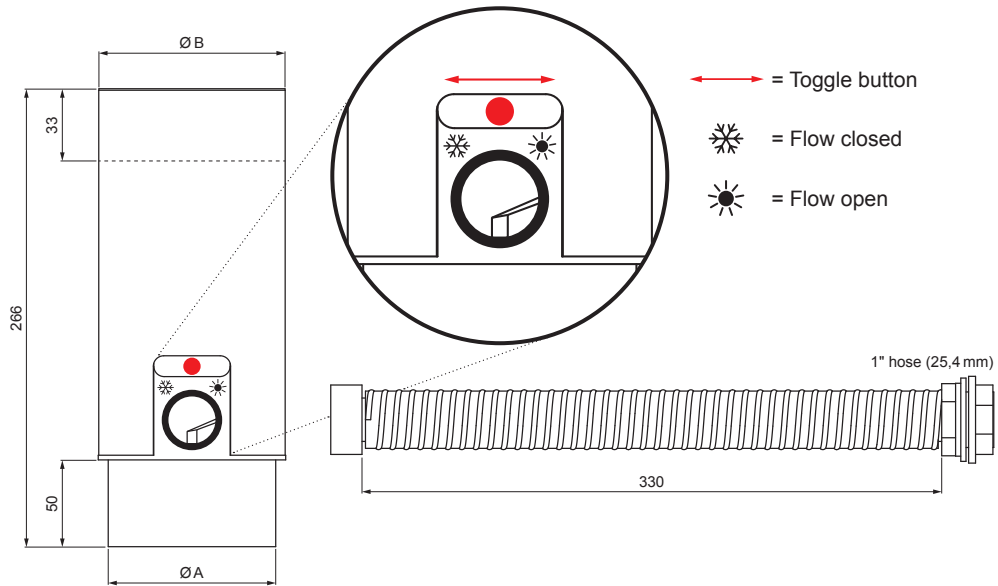


TECHNICAL SHEET

# WATER COLLECTOR WITH HOSE AND KNOB

# W.15-WZVHAG



- = Toggle button
- = Flow closed
- = Flow open



**BHTM** Aluminium pre-painted W.15 – Grey aluminum W.15 – RAL 9007



Dimensions [mm]		
Nominal size	A	B
80	77	81
100	97	101

INDEX	CHANGE	DATE	SIGNATURE	<b>KJG</b> QUALITY®	Scan code for 3D model
MATERIAL BRAND			W.C.	WEIGHT kg	SCALE
SIZE, SEMI-FINISHED PRODUCTS				STN STANDARD	SORTING NUMBER
AUXILIARY EQUIPMENT				NOTE	POSITION NUMBER
ELABORATED BY Ing. Kluska M.					
TESTED BY					
TECHNOLOGIST		TECHNOLOGIST		OLD DRAWING	DRAWING NUMBER
NAME			Water Collector with hose and knob		Number of sheets
					W.15-WZVHAG Sheet

Created: 07.06.2026 05:30:07

Technical changes reserved