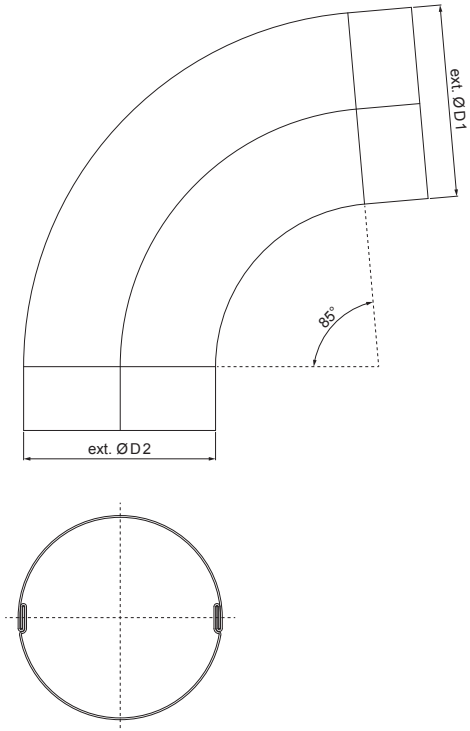


TECHNICAL SHEET

ELBOW FOLDED 85°

P-PKF3



TM Galvanized steel prepainted – Testa di Moro – RAL 8028

INDEX	CHANGE	DATE	SIGNATURE	KJG QUALITY®	Scan code for 3D model
MATERIAL BRAND			W.C.	WEIGHT kg	SCALE
SIZE, SEMI-FINISHED PRODUCTS				STN STANDARD	SORTING NUMBER
AUXILIARY EQUIPMENT				NOTE	POSITION NUMBER
ELABORATED BY Ing. Kluska M.				OLD DRAWING	DRAWING NUMBER
TESTED BY					
TECHNOLOGIST		TECHNOLOGIST		Number of sheets	P-PKF3 Sheet
NAME			Elbow folded 85°		

Created: 05.06.2026 06:29:36

Technical changes reserved

Dimensions [mm]		
Nominal size	Ø D 1	Ø D 2
80	80,4	79,0
100	100,4	99,0