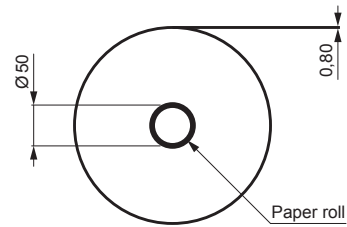
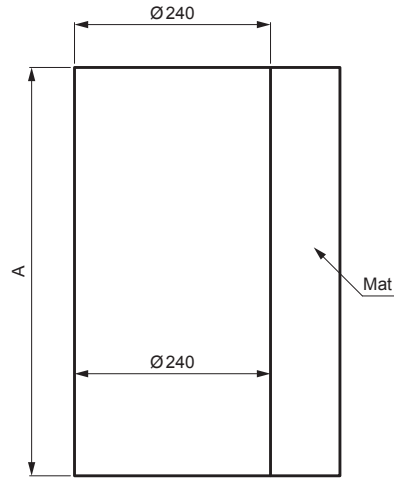


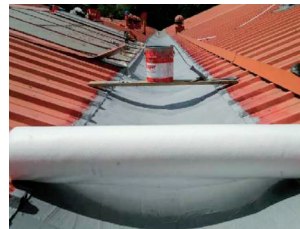
TECHNICAL SHEET

ENKE POLYFLEX FLEECE

SCH-ENKE RP



APPLICATION:



Polyester – Pure white

Polyester mat Enke-Polyflexvlies is a thermally bonded white colour mat with a weight of 110 g/m². Very good absorbency and ability to adapt to the unevenness of the base. Use with Enkryl, Enkopur, Enkepreen as an insert that improves the mechanical properties of systems.

Dimensions [mm]		
Nominal dimension	A	Length [m]
15 cm	150	50
20 cm	200	50
30 cm	300	50
50 cm	500	50
100 cm	1000	50

INDEX	CHANGE	DATE	SIGNATURE	KJG QUALITY ©	
MATERIAL BRAND			W.C.	WEIGHT kg	SCALE
SIZE, SEMI-FINISHED PRODUCTS				STN STANDARD	SORTING NUMBER
AUXILIARY EQUIPMENT				NOTE	POSITION NUMBER
ELABORATED BY Ing. Kluska M.					
TESTED BY		TECHNOLOGIST		OLD DRAWING	DRAWING NUMBER
NAME Enke Polyflex fleece				Number of sheets	SCH-ENKE RP Sheet

Created: 03.06.2026 22:42:45

Technical changes reserved