

TECHNICAL SHEET

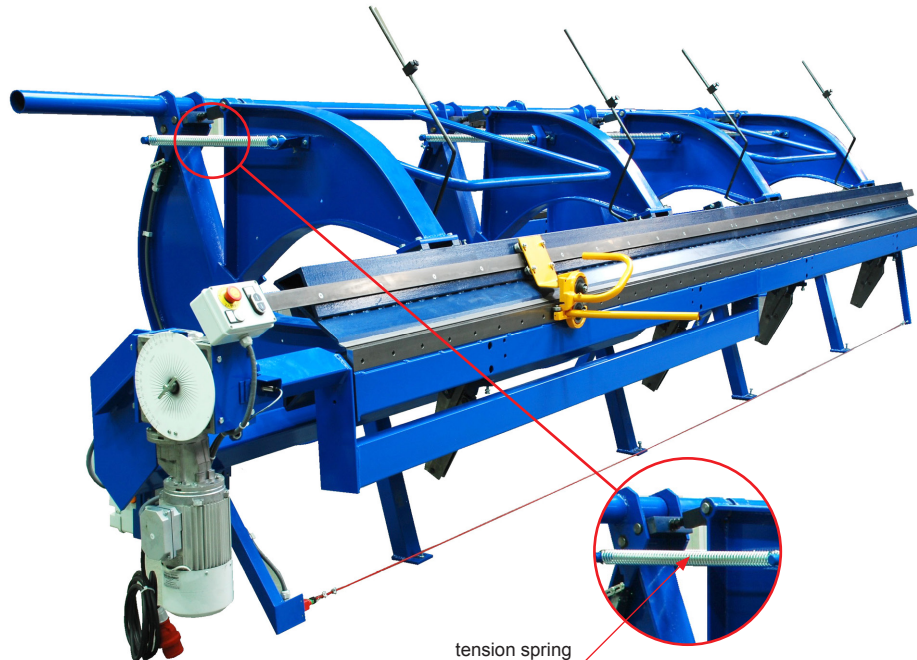
TENSION SPRING (380 mm)

KNS-BRIND TAZ-PR 380

DESCRIPTION:

- tension spring for modular bending machine **BŘÍ ŠVARCOVÉ** (spare part)
- lenght: 380 mm




APPLICATION:



tension spring



Steel

INDEX CHANGE		DATE	SIGNATURE		
MATERIAL BRAND			W.C.	WEIGHT kg	SCALE
SIZE, SEMI-FINISHED PRODUCTS				STN STANDARD	SORTING NUMBER
AUXILIARY EQUIPMENT				NOTE	POSITION NUMBER
ELABORATED BY Ing. Kluska M.					
TESTED BY					
TECHNOLOGIST		TECHNOLOGIST		OLD DRAWING	DRAWING NUMBER
NAME			KNS-BRIND TAZ-PR 380		
Tension spring (380 mm)			Number of sheets		Sheet 

Created: 05.06.2026 18:19:30

Technical changes reserved