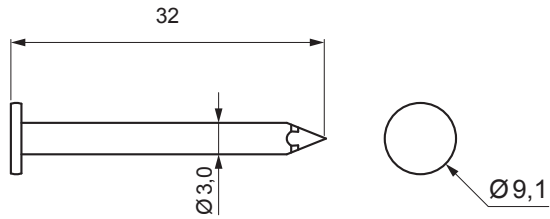


TECHNICAL SHEET

GAS-FREE PNEUMATIC SMOOTH SHOOTING NAILS

KNS-NKC PN 3,0X32 H



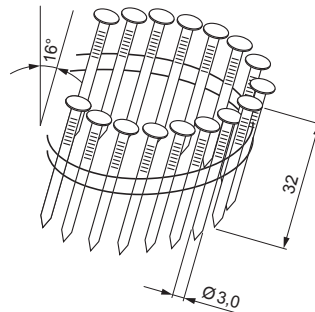
DESCRIPTION:

- smooth shooting nails designed for a gas gun
with marking **KMR 3516**

PACKAGE CONTENTS:

- smooth shooting nails 7 200 pcs

SHOOTING NAILS:



Steel

INDEX	CHANGE	DATE	SIGNATURE		
MATERIAL BRAND			W.C.	WEIGHT kg	SCALE
SIZE, SEMI-FINISHED PRODUCTS				STN STANDARD	SORTING NUMBER
AUXILIARY EQUIPMENT				NOTE	POSITION NUMBER
ELABORATED BY Ing. Kluska M.					
TESTED BY					
TECHNOLOGIST		TECHNOLOGIST		OLD DRAWING	DRAWING NUMBER
NAME			Gas-free pneumatic smooth shooting nails		Number of sheets
			KNS-NKC PN 3,0X32 H		Sheet

Created: 04.12.2025 13:13:30

Technical changes reserved

Technical parameter	
Type	DPN 16° 3,0x32 Galv
Nail diameter	3,0 mm
Nail length	32 mm
Packaging	7 200 pcs