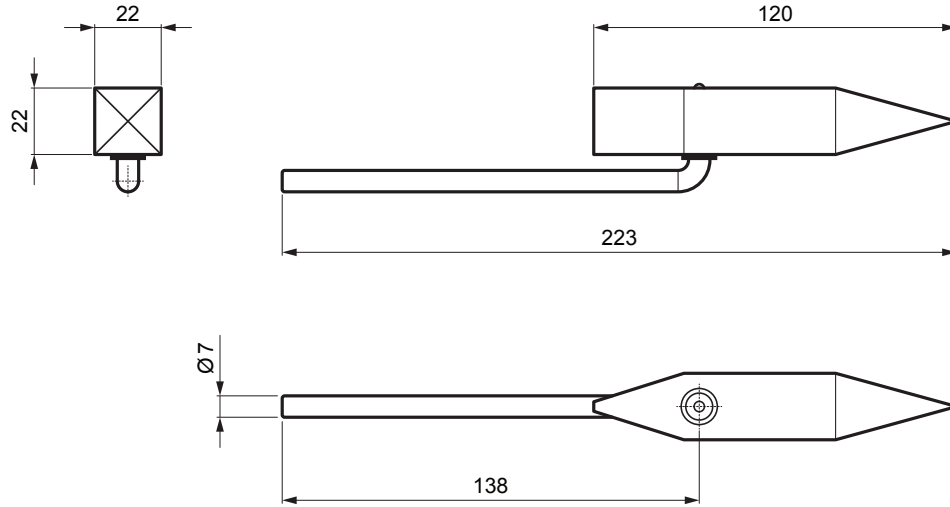


TECHNICAL SHEET

PERKEO CU-ZINNLUX TIP 350 g

KNS-PERKE ZIN SPIC



DESCRIPTION:

PERKEO soldering CU-ZINNLUX tip weighing 350 g with marking **209/2/Z**.

The new **ZINNLUX LONGLIFE** soldering tips are equipped with a special surface that protects the copper core from aggressive soldering water and surface deposits. The shape of the soldering tip is thus preserved for at least 2500 soldered metres. A damp cloth is sufficient for cleaning.

High thermal conductivity and accumulation capacity.

The basic material ZINNLUX LONGLIFE consists of cold-rolled electrolytic copper. Thanks to its high thermal conductive and storage capacity, the soldering tip warms up to the working temperature in less than 45 seconds, and in addition, the basic material ensures maximum heat accumulation, which also means less gas consumption during soldering.

INDEX	CHANGE	DATE	SIGNATURE	KJG QUALITY	PERKEO	Scan code for 3D model	
MATERIAL BRAND			W.C.	WEIGHT kg		SCALE	
SIZE, SEMI-FINISHED PRODUCTS				STN STANDARD		SORTING NUMBER	
AUXILIARY EQUIPMENT				NOTE		POSITION NUMBER	
ELABORATED BY Ing. Kluska M.				OLD DRAWING		DRAWING NUMBER	
TESTED BY				TECHNOLOGIST		DRAWING NUMBER	
NAME				PERKEO CU-ZINNLUX tip 350 g		KNS-PERKE ZIN SPIC	
				Number of sheets		Sheet	

Created: 05.06.2026 17:41:42

Technical changes reserved