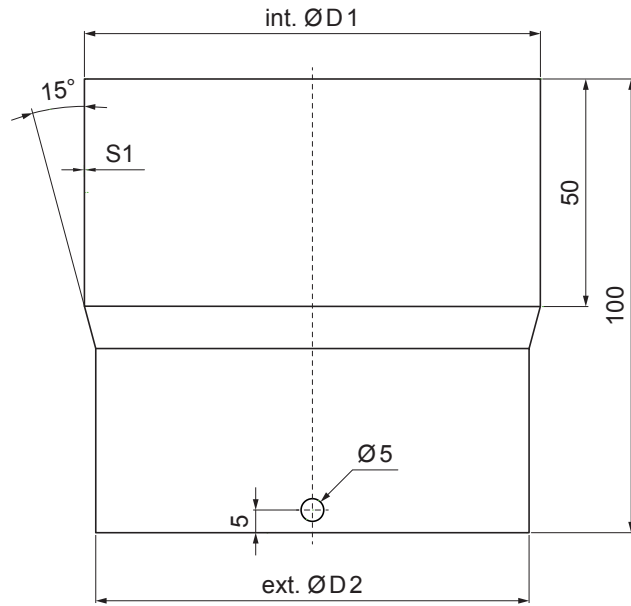


TECHNICAL SHEET

DOWNPIPE CONNECTOR

P-PSRU



OC Galvanized steel prepainted – Steel red – RAL 3009

Dimensions [mm]		
Nominal size	int. Ø D 1	ext. Ø D 2
80	80	76
100	100	96
120	120	116

INDEX	CHANGE	DATE	SIGNATURE		
MATERIAL BRAND			W.C.	WEIGHT kg	SCALE
SIZE, SEMI-FINISHED PRODUCTS					
AUXILIARY EQUIPMENT			STN STANDARD		SORTING NUMBER
ELABORATED BY Ing. Kluska M.			NOTE		POSITION NUMBER
TESTED BY					
TECHNOLOGIST		TECHNOLOGIST	OLD DRAWING		DRAWING NUMBER
NAME			Spojka zvodovej rúry		
			Number of sheets		P-PSRU Sheet

Created: 06.06.2026 10:51:31

Technical changes reserved