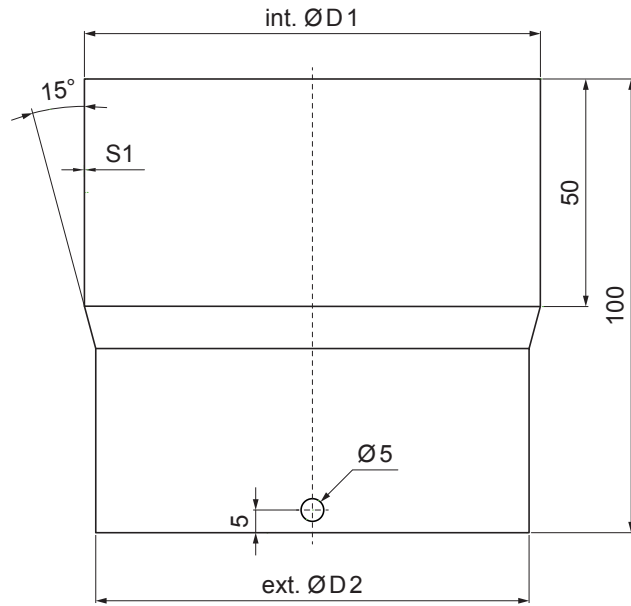


TECHNICAL SHEET

# DOWNPIPE CONNECTOR

# P-PSRU



**MH** Galvanized steel pre-painted – Copper brown – RAL 8004

Dimensions [mm]		
Nominal size	int. Ø D 1	ext. Ø D 2
80	80	76
100	100	96
120	120	116

INDEX	CHANGE	DATE	SIGNATURE	<b>KJG</b> QUALITY®	Scan code for 3D model
MATERIAL BRAND			W.C.	WEIGHT kg	SCALE
SIZE, SEMI-FINISHED PRODUCTS				STN STANDARD	SORTING NUMBER
AUXILIARY EQUIPMENT				NOTE	POSITION NUMBER
ELABORATED BY Ing. Kluska M.					
TESTED BY					
TECHNOLOGIST		TECHNOLOGIST		OLD DRAWING	DRAWING NUMBER
NAME Spojka zvodovej rúry				Number of sheets	P-PSRU Sheet

Created: 07.06.2026 11:01:05

Technical changes reserved