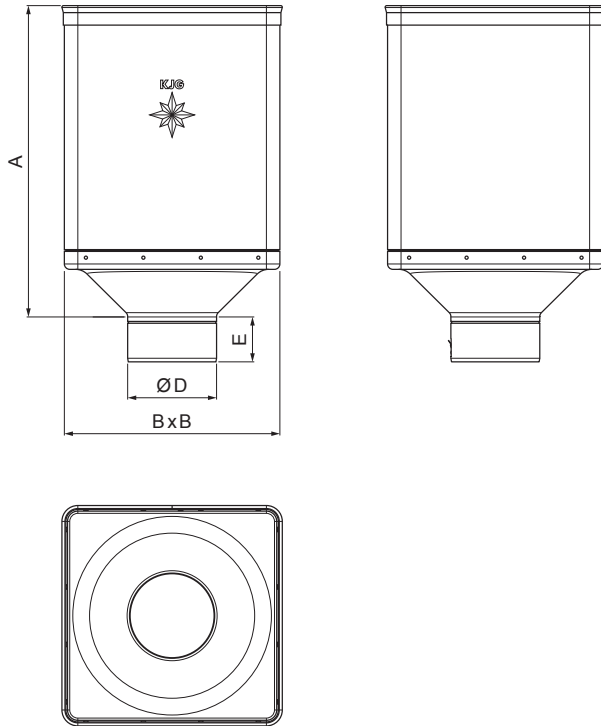




# TECHNICAL SHEET HOPPER DESIGN

# P-PKLZ DE



**TH** Galvanized steel prepainted – Dark brown ČOKO – RAL 8017

|                              |        |              |           |                        |  |
|------------------------------|--------|--------------|-----------|------------------------|--|
| INDEX                        | CHANGE | DATE         | SIGNATURE | <b>KJG</b><br>QUALITY® | Scan code for 3D model  |
|                              |        |              |           |                        |  |
| MATERIAL BRAND               |        |              | W.C.      | WEIGHT kg              | SCALE  |
| SIZE, SEMI-FINISHED PRODUCTS |        |              |           | STN STANDARD           | SORTING NUMBER   |
| AUXILIARY EQUIPMENT          |        |              |           | NOTE                   | POSITION NUMBER  |
| ELABORATED BY Ing. Kluska M. |        |              |           |                        |  |
| TESTED BY                    |        |              |           |                        |  |
| TECHNOLOGIST                 |        | TECHNOLOGIST |           | OLD DRAWING            | DRAWING NUMBER   |
| NAME<br>Hopper DESIGN        |        |              |           | Number of sheets       | P-PKLZ DE Sheet         |

Created: 05.06.2026 13:03:01

Technical changes reserved

| Dimensions [mm] |     |     |    |    |
|-----------------|-----|-----|----|----|
| Nominal size    | A   | B   | D  | E  |
| 100             | 336 | 240 | 99 | 50 |