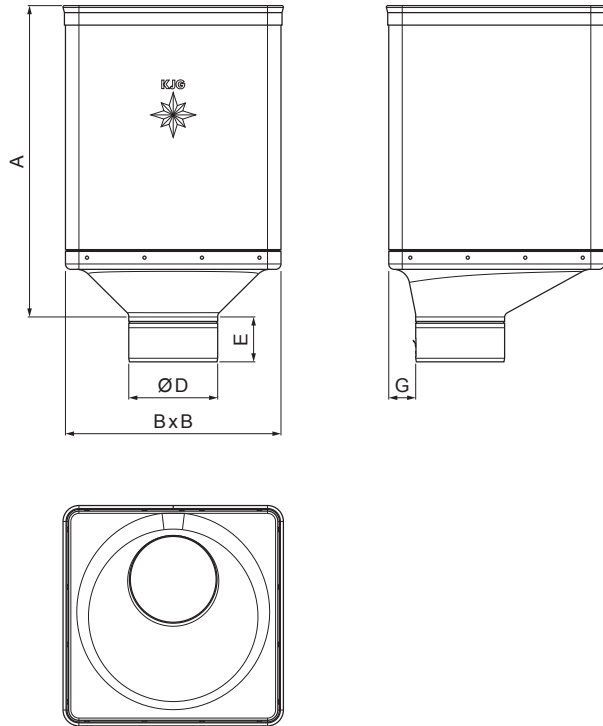


TECHNICAL SHEET

HOPPER DESIGN ECCENTRIC

P-PKLZ DX



TH Galvanized steel prepainted – Dark brown ČOKO – RAL 8017

INDEX	CHANGE	DATE	SIGNATURE	KJG QUALITY®	Scan code for 3D model
MATERIAL BRAND			W.C.	WEIGHT kg	SCALE
SIZE, SEMI-FINISHED PRODUCTS				STN STANDARD	SORTING NUMBER
AUXILIARY EQUIPMENT				NOTE	POSITION NUMBER
ELABORATED BY Ing. Kluska M.					
TESTED BY					
TECHNOLOGIST		TECHNOLOGIST		OLD DRAWING	DRAWING NUMBER
NAME Hopper DESIGN ECCENTRIC				Number of sheets	P-PKLZ DX Sheet

Created: 19.04.2026 22:28:17

Technical changes reserved

Dimensions [mm]					
Nominal size	A	B	D	E	G
100	336	240	99	50	30