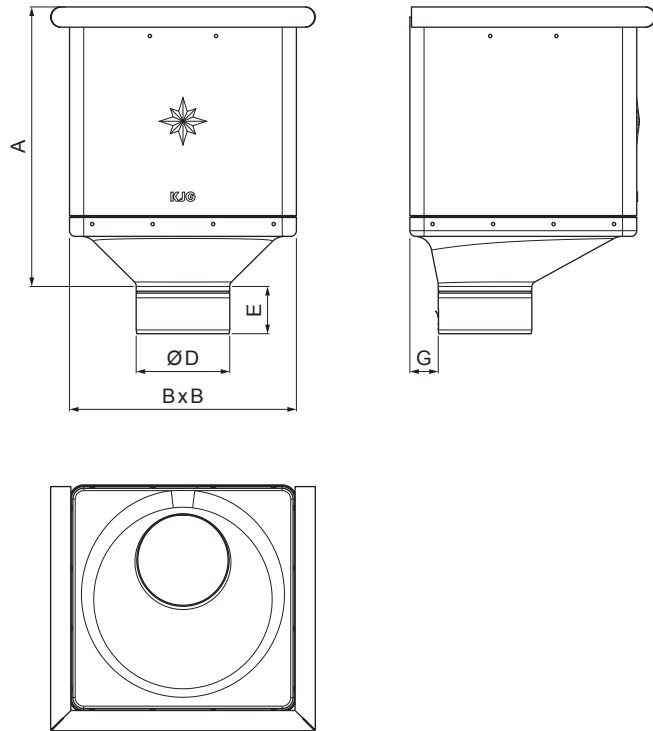


TECHNICAL SHEET

# HOPPER CUBIC ECCENTRIC

# P-PKLZ KX



**TH** Galvanized steel prepainted – Dark brown ČOKO – RAL 8017

INDEX	CHANGE	DATE	SIGNATURE	<b>KJG</b> QUALITY®	Scan code for 3D model
MATERIAL BRAND			W.C.	WEIGHT kg	SCALE
SIZE, SEMI-FINISHED PRODUCTS				STN STANDARD	SORTING NUMBER
AUXILIARY EQUIPMENT				NOTE	POSITION NUMBER
ELABORATED BY Ing. Kluska M.					
TESTED BY					
TECHNOLOGIST		TECHNOLOGIST		OLD DRAWING	DRAWING NUMBER
NAME Hopper CUBIC ECCENTRIC				Number of sheets	P-PKLZ KX Sheet

Created: 05.06.2026 13:03:35

Technical changes reserved

Dimensions [mm]					
Nominal size	A	B	D	E	G
100	283	240	99	50	30