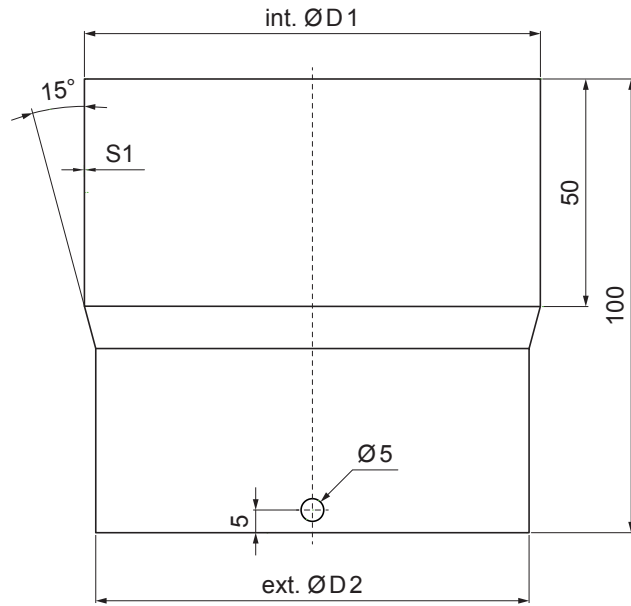


TECHNICAL SHEET


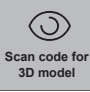


# DOWNPIPE CONNECTOR

# P-PSRU



**SB** Galvanized steel prepainted – Grey white – RAL 9002

Dimensions [mm]		
Nominal size	int. Ø D 1	ext. Ø D 2
80	80	76
100	100	96
120	120	116

INDEX	CHANGE	DATE	SIGNATURE			
MATERIAL BRAND			W.C.	WEIGHT kg	SCALE	
SIZE, SEMI-FINISHED PRODUCTS					STN STANDARD	SORTING NUMBER
AUXILIARY EQUIPMENT					NOTE	POSITION NUMBER
ELABORATED BY Ing. Kluska M.						
TESTED BY						
TECHNOLOGIST		TECHNOLOGIST			OLD DRAWING	DRAWING NUMBER
NAME			Spojka zvodovej rúry		Number of sheets	P-PSRU Sheet 

Created: 04.06.2026 13:43:31

Technical changes reserved