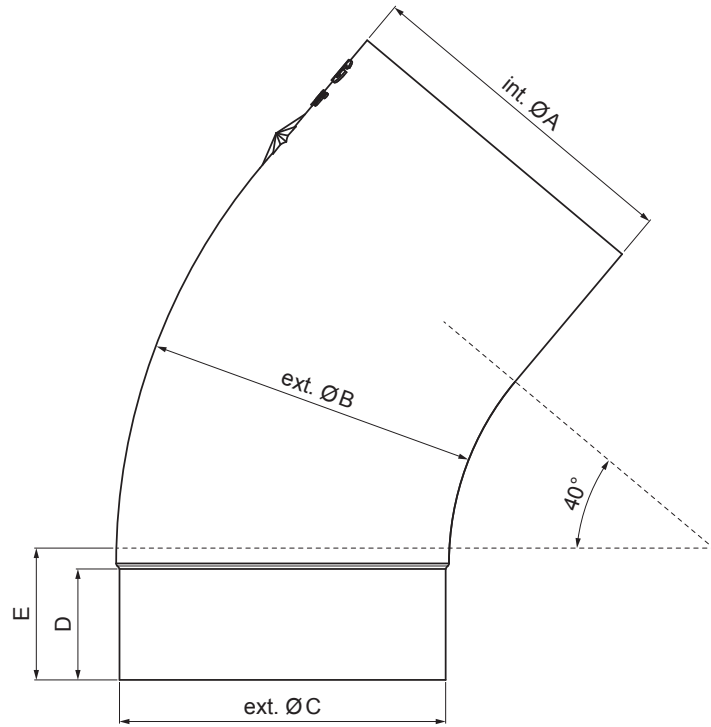


TECHNICAL SHEET

# ELBOW BLIND 40°

# P-PKT



**TH** Galvanized steel prepainted – Dark brown ČOKO – RAL 8017

Dimensions [mm]					
Nominal size	Ø A	Ø B	Ø C	D	E
80	80,4	79	76,9	28	40
100	100,4	99,0	96,8	35	50
120	120,3	119,0	116,7	42	60

INDEX	CHANGE	DATE	SIGNATURE	<b>KJG</b> QUALITY®	Scan code for 3D model
MATERIAL BRAND			W.C.	WEIGHT kg	SCALE
SIZE, SEMI-FINISHED PRODUCTS				STN STANDARD	SORTING NUMBER
AUXILIARY EQUIPMENT				NOTE	POSITION NUMBER
ELABORATED BY Ing. Kluska M.				OLD DRAWING	DRAWING NUMBER
TESTED BY					
TECHNOLOGIST		TECHNOLOGIST		Number of sheets	P-PKT Sheet
NAME			Elbow blind 40°		

Created: 05.06.2026 13:02:42

Technical changes reserved