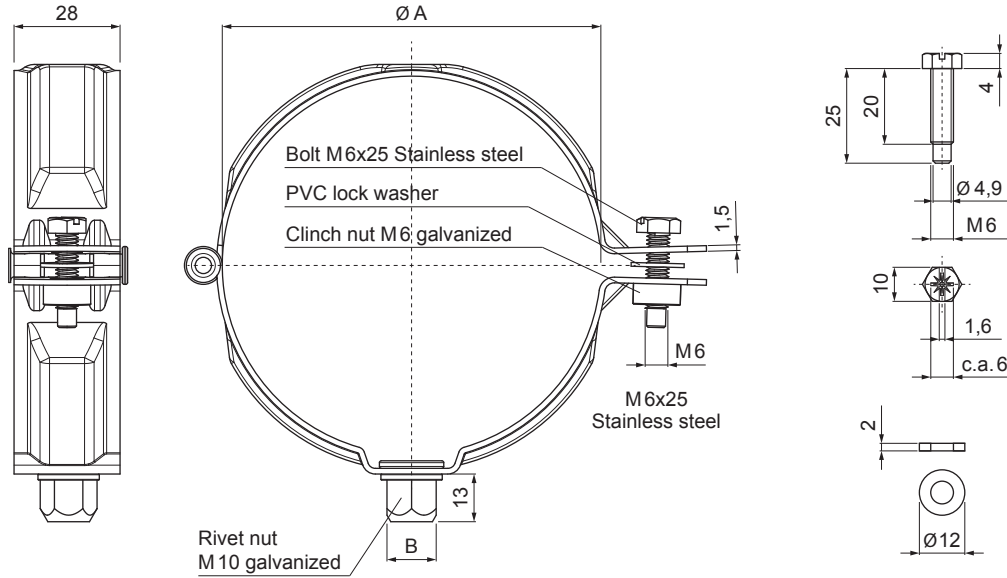


TECHNICAL SHEET

PIPE BRACKET WITH THREAD M 10

P-POB



TH Galvanized steel pre-painted – Dark brown ČOKO – RAL 8017

Dimensions [mm]		
Nominal size	Ø A	B
80	80	13
100	100	13
120	120	13

INDEX	CHANGE	DATE	SIGNATURE	KJG QUALITY®	Scan code for 3D model
MATERIAL BRAND			W.C.	WEIGHT kg	SCALE
SIZE, SEMI-FINISHED PRODUCTS				STN STANDARD	SORTING NUMBER
AUXILIARY EQUIPMENT				NOTE	POSITION NUMBER
ELABORATED BY Ing. Kluska M.					
TESTED BY					
TECHNOLOGIST		TECHNOLOGIST		OLD DRAWING	DRAWING NUMBER
NAME Pipe bracket with thread M 10				Number of sheets	P-POB Sheet

Created: 19.04.2026 22:41:28

Technical changes reserved