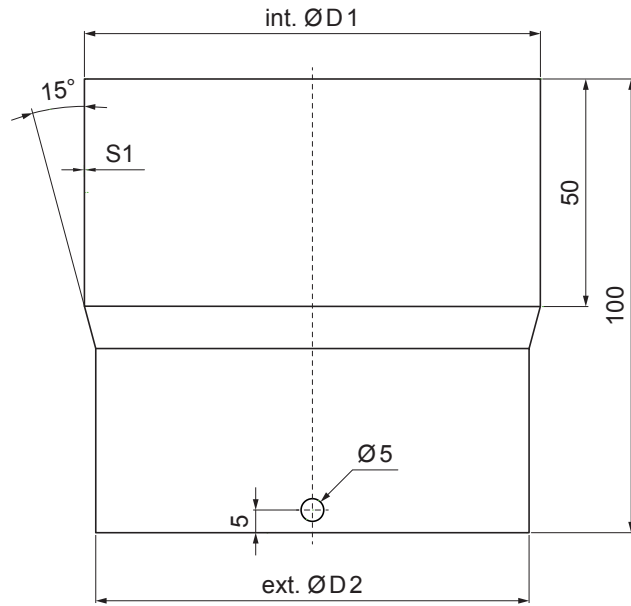



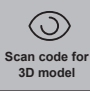


TECHNICAL SHEET

DOWNPIPE CONNECTOR

P-PSRU



BH Galvanized steel prepainted – White aluminum – RAL 9006

INDEX	CHANGE	DATE	SIGNATURE			
MATERIAL BRAND			W.C.	WEIGHT kg	SCALE	
SIZE, SEMI-FINISHED PRODUCTS			AUXILIARY EQUIPMENT		STN STANDARD	SORTING NUMBER
ELABORATED BY Ing. Kluska M.			TESTED BY		NOTE	POSITION NUMBER
TECHNOLOGIST		TECHNOLOGIST	OLD DRAWING		DRAWING NUMBER	
NAME			Spojka zvodovej rúry		Number of sheets	P-PSRU Sheet 

Created: 07.06.2026 04:08:42

Technical changes reserved

Dimensions [mm]		
Nominal size	int. Ø D 1	ext. Ø D 2
80	80	76
100	100	96
120	120	116