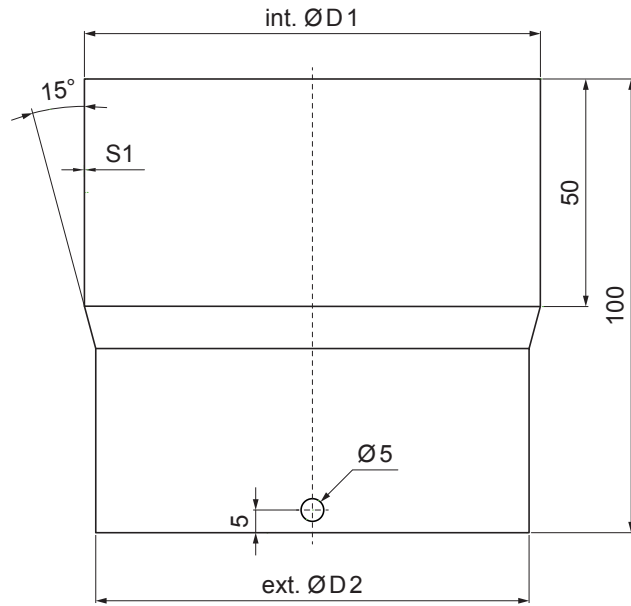


TECHNICAL SHEET


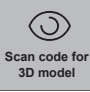


# DOWNPIPE CONNECTOR

# P-PSRU



**PS** Galvanized steel prepainted – Dusty grey – RAL 7037

| Dimensions [mm] |            |            |
|-----------------|------------|------------|
| Nominal size    | int. Ø D 1 | ext. Ø D 2 |
| 80              | 80         | 76         |
| 100             | 100        | 96         |
| 120             | 120        | 116        |

|                              |        |      |                      |   |  |   |
|------------------------------|--------|------|----------------------|---|--|---|
| INDEX                        | CHANGE | DATE | SIGNATURE            |  |               |  |
|                              |        |      |                      |   |  |   |
| MATERIAL BRAND               |        |      | W.C.                 | WEIGHT kg   | SCALE  |   |
| SIZE, SEMI-FINISHED PRODUCTS |        |      | STN STANDARD         |   | SORTING NUMBER   |   |
| AUXILIARY EQUIPMENT          |        |      | NOTE                 |   | POSITION NUMBER  |   |
| ELABORATED BY Ing. Kluska M. |        |      | OLD DRAWING          |   | DRAWING NUMBER   |   |
| TESTED BY                    |        |      | NAME                 |   | Number of sheets   |   |
| TECHNOLOGIST                 |        |      | Spojka zvodovej rúry |   | P-PSRU Sheet  |   |

Created: 05.06.2026 17:50:24

Technical changes reserved