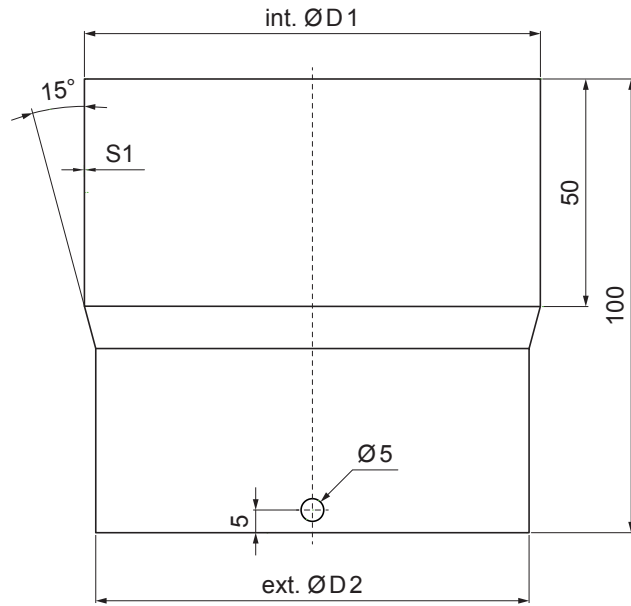


TECHNICAL SHEET


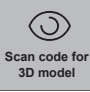


DOWNPIPE CONNECTOR

P-PSRU



MM Galvanized steel prepainted – Metallic copper – RAL extra

Dimensions [mm]		
Nominal size	int. Ø D 1	ext. Ø D 2
80	80	76
100	100	96
120	120	116

INDEX	CHANGE	DATE	SIGNATURE			
MATERIAL BRAND			W.C.	WEIGHT kg	SCALE	
SIZE, SEMI-FINISHED PRODUCTS			AUXILIARY EQUIPMENT		STN STANDARD	SORTING NUMBER
ELABORATED BY Ing. Kluska M.			TESTED BY		NOTE	POSITION NUMBER
TECHNOLOGIST		TECHNOLOGIST	OLD DRAWING		DRAWING NUMBER	
NAME			Spojka zvodovej rúry		Number of sheets	P-PSRU Sheet 

Created: 05.06.2026 16:57:46

Technical changes reserved