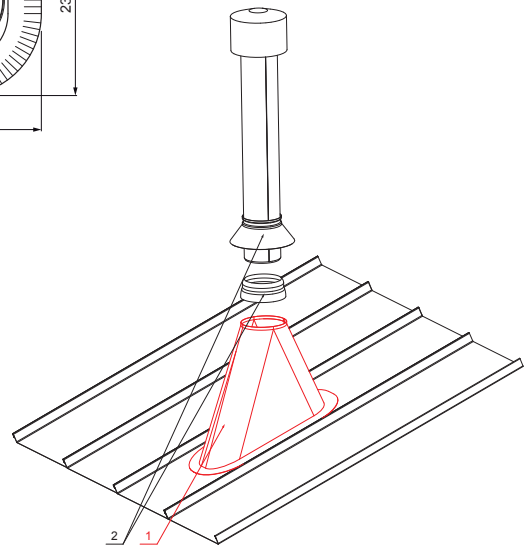
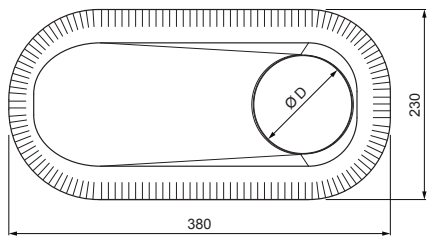
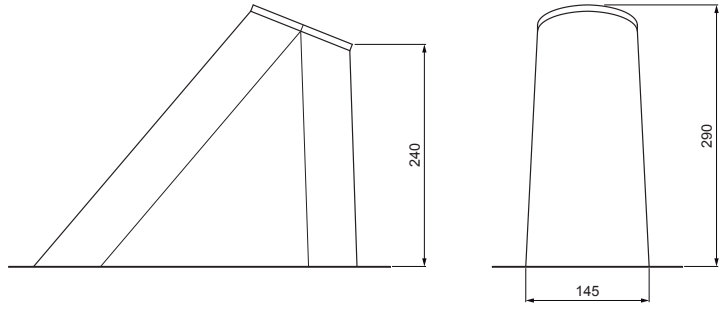


TECHNICAL SHEET

# VENTILATION CHIMNEY BASE

# FALZ-PZN VKP



**TM** Color : Galvanized steel pre-painted – Testa di Moro – RAL 8028  
Material: Aluminium – Natur

- DETAIL:**
1. ventilation chimney base
  2. ventilation chimney + EPDM

Dimensions [mm]	
Nominal dimension	Ø D
110 – 125	110
110 – 125	125 *

\* It is created by trimming adjustment – enlarging the hole

INDEX	CHANGE	DATE	SIGNATURE	<b>KJG</b> QUALITY ®	Scan code for 3D model	
MATERIAL BRAND			W.C.	WEIGHT kg	SCALE	
SIZE, SEMI-FINISHED PRODUCTS				STN STANDARD	SORTING NUMBER	
AUXILIARY EQUIPMENT				NOTE	POSITION NUMBER	
ELABORATED BY Ing. Kluska M.						
TESTED BY		TECHNOLOGIST		OLD DRAWING	DRAWING NUMBER	
NAME			Ventilation chimney base		Number of sheets	FALZ-PZN VKP Sheet

Created: 06.06.2026 10:32:35

Technical changes reserved