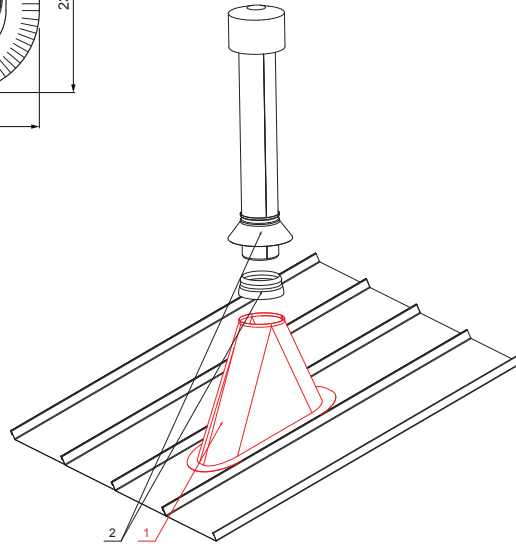
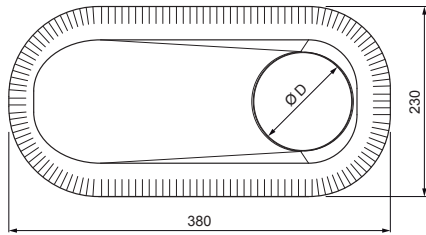
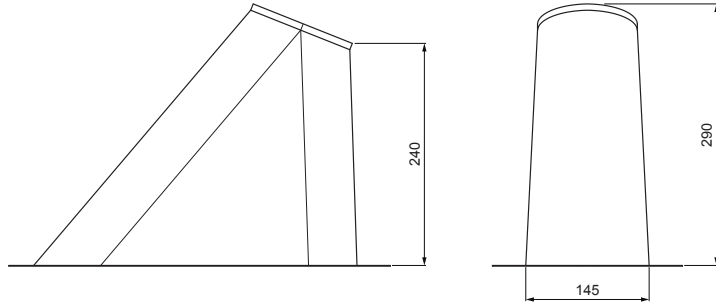


TECHNICAL SHEET

# VENTILATION CHIMNEY BASE

# FALZ-PZN VKP



**AN** Color : Galvanized steel preprepared – Anthracite – RAL 7016  
Material: Aluminium – Natur

- DETAIL:**
1. ventilation chimney base
  2. ventilation chimney + EPDM

Dimensions [mm]	
Nominal dimension	Ø D
110 – 125	110
110 – 125	125 *

\* It is created by trimming adjustment – enlarging the hole

INDEX	CHANGE	DATE	SIGNATURE	<b>KJG</b> QUALITY ®	Scan code for 3D model	
MATERIAL BRAND			W.C.	WEIGHT kg	SCALE	
SIZE, SEMI-FINISHED PRODUCTS				STN STANDARD	SORTING NUMBER	
AUXILIARY EQUIPMENT				NOTE	POSITION NUMBER	
ELABORATED BY Ing. Kluska M.						
TESTED BY		TECHNOLOGIST		OLD DRAWING	DRAWING NUMBER	
NAME				FALZ-PZN VKP		
Ventilation chimney base				Number of sheets		Sheet

Created: 04.06.2026 06:17:52

Technical changes reserved