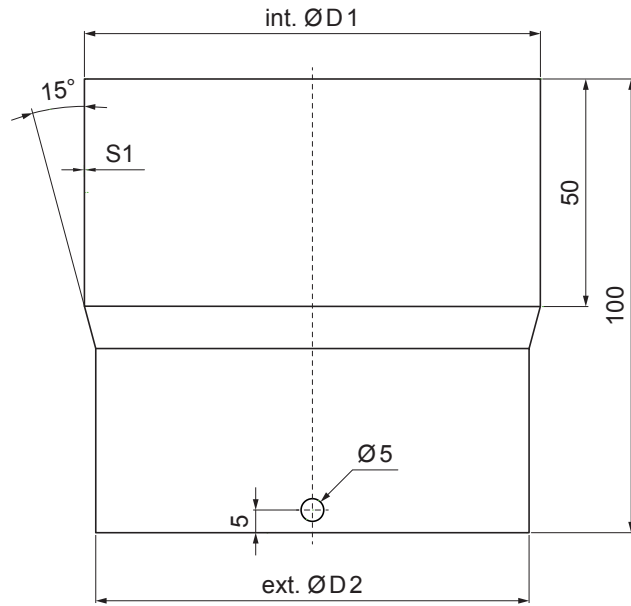


TECHNICAL SHEET

# DOWNPIPE CONNECTOR

# P-PSRU



**BHT** Galvanized steel prepainted – Grey aluminum P.20 – RAL 9007

INDEX	CHANGE	DATE	SIGNATURE	<b>KJG</b> QUALITY®	Scan code for 3D model
MATERIAL BRAND			W.C.	WEIGHT kg	SCALE
SIZE, SEMI-FINISHED PRODUCTS				STN STANDARD	SORTING NUMBER
AUXILIARY EQUIPMENT				NOTE	POSITION NUMBER
ELABORATED BY Ing. Kluska M.					
TESTED BY				OLD DRAWING	DRAWING NUMBER
TECHNOLOGIST			TECHNOLOGIST		
NAME			Spojka zvodovej rúry		
			Number of sheets	P-PSRU	Sheet

Created: 05.06.2026 04:38:16

Technical changes reserved

Dimensions [mm]		
Nominal size	int. Ø D 1	ext. Ø D 2
80	80	76
100	100	96
120	120	116