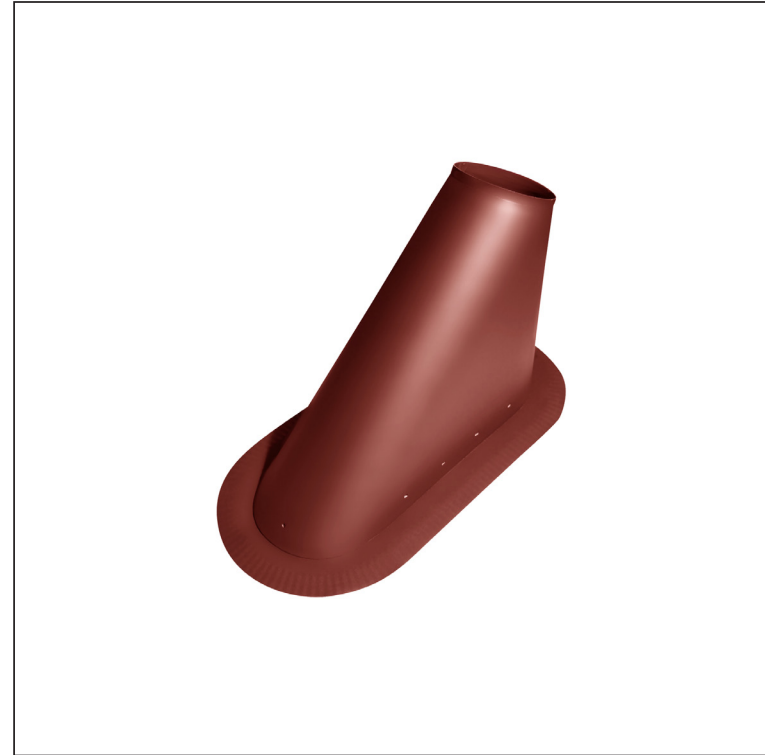
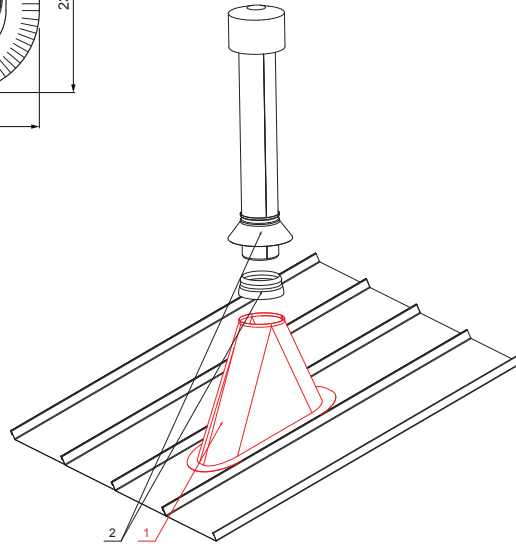
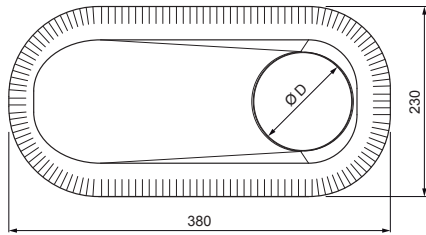
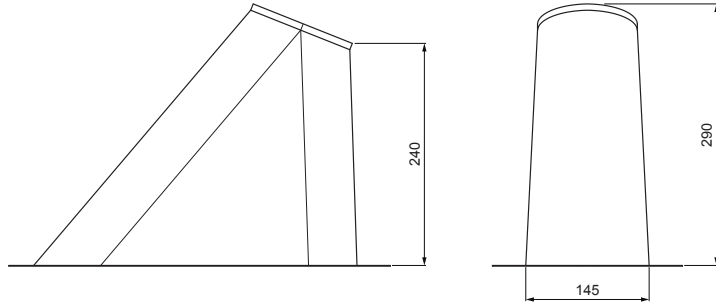


TECHNICAL SHEET

VENTILATION CHIMNEY BASE

FALZ-PZN VKP



OC Color : Galvanized steel prepatented – Steel red – RAL 3009
Material: Aluminium – Natur

DETAIL:

- 1. ventilation chimney base
- 2. ventilation chimney + EPDM

Dimensions [mm]	
Nominal dimension	Ø D
110 – 125	110
110 – 125	125 *

* It is created by trimming adjustment – enlarging the hole

INDEX	CHANGE	DATE	SIGNATURE	KJG QUALITY ®	Scan code for 3D model	
MATERIAL BRAND			W.C.	WEIGHT kg	SCALE	
SIZE, SEMI-FINISHED PRODUCTS				STN STANDARD	SORTING NUMBER	
AUXILIARY EQUIPMENT				NOTE	POSITION NUMBER	
ELABORATED BY Ing. Kluska M.						
TESTED BY				OLD DRAWING	DRAWING NUMBER	
TECHNOLOGIST		TECHNOLOGIST				
NAME				FALZ-PZN VKP		
Ventilation chimney base				Number of sheets		Sheet

Created: 05.06.2026 22:19:29

Technical changes reserved