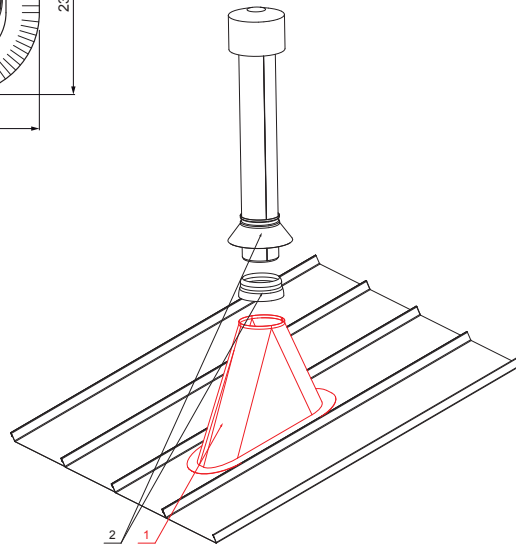
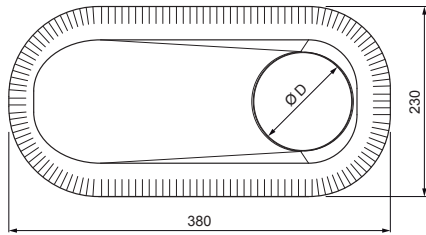
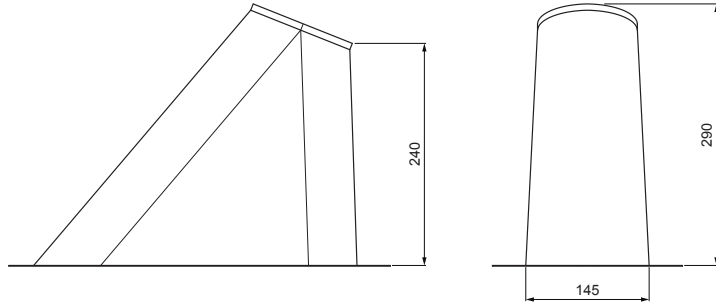


TECHNICAL SHEET

# VENTILATION CHIMNEY BASE

# FALZ-PZN VKP







**BH** Color : Galvanized steel prepatented – White aluminum – RAL 9006  
Material: Aluminium – Natur

**DETAIL:**

1. ventilation chimney base
2. ventilation chimney + EPDM

Dimensions [mm]	
Nominal dimension	Ø D
110 – 125	110
110 – 125	125 *

\* It is created by trimming adjustment – enlarging the hole

INDEX	CHANGE	DATE	SIGNATURE			
MATERIAL BRAND			W.C.	WEIGHT kg	SCALE	
SIZE, SEMI-FINISHED PRODUCTS				STN STANDARD	SORTING NUMBER	
AUXILIARY EQUIPMENT				NOTE	POSITION NUMBER	
ELABORATED BY Ing. Kluska M.						
TESTED BY		TECHNOLOGIST		OLD DRAWING	DRAWING NUMBER	
NAME				FALZ-PZN VKP		
Ventilation chimney base				Number of sheets	Sheet 	

Created: 06.06.2026 20:42:16

Technical changes reserved