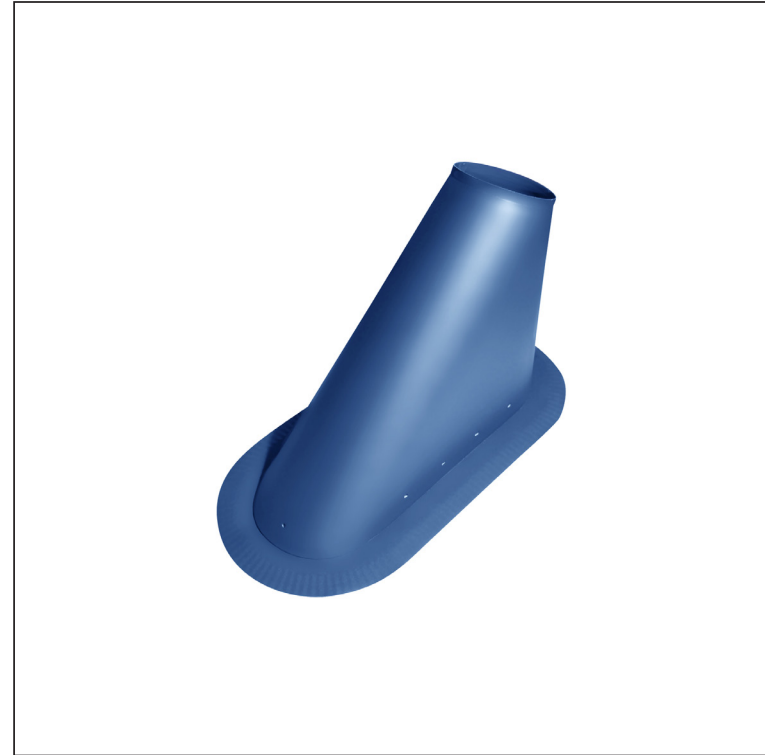
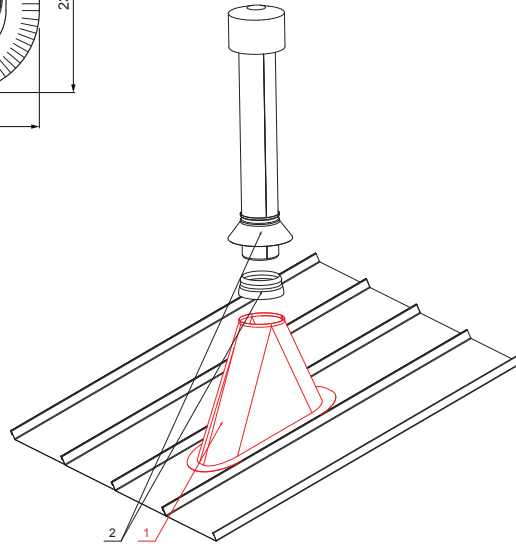
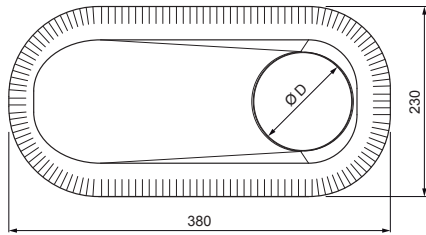
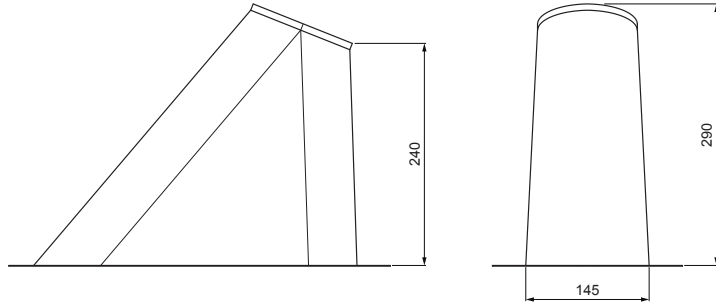


TECHNICAL SHEET

# VENTILATION CHIMNEY BASE

# FALZ-PZN VKP



Color : Galvanized steel preprepared – Gentian blue – RAL 5010  
Material: Aluminium – Natur

**DETAIL:**

1. ventilation chimney base
2. ventilation chimney + EPDM

Dimensions [mm]	
Nominal dimension	Ø D
110 – 125	110
110 – 125	125 *

\* It is created by trimming adjustment – enlarging the hole

INDEX	CHANGE	DATE	SIGNATURE		
MATERIAL BRAND			W.C.	WEIGHT kg	SCALE
SIZE, SEMI-FINISHED PRODUCTS				STN STANDARD	SORTING NUMBER
AUXILIARY EQUIPMENT				NOTE	POSITION NUMBER
ELABORATED BY Ing. Kluska M.					
TESTED BY		TECHNOLOGIST		OLD DRAWING	DRAWING NUMBER
NAME				FALZ-PZN VKP	
Ventilation chimney base				Number of sheets	Sheet

Created: 08.06.2026 06:06:52

Technical changes reserved