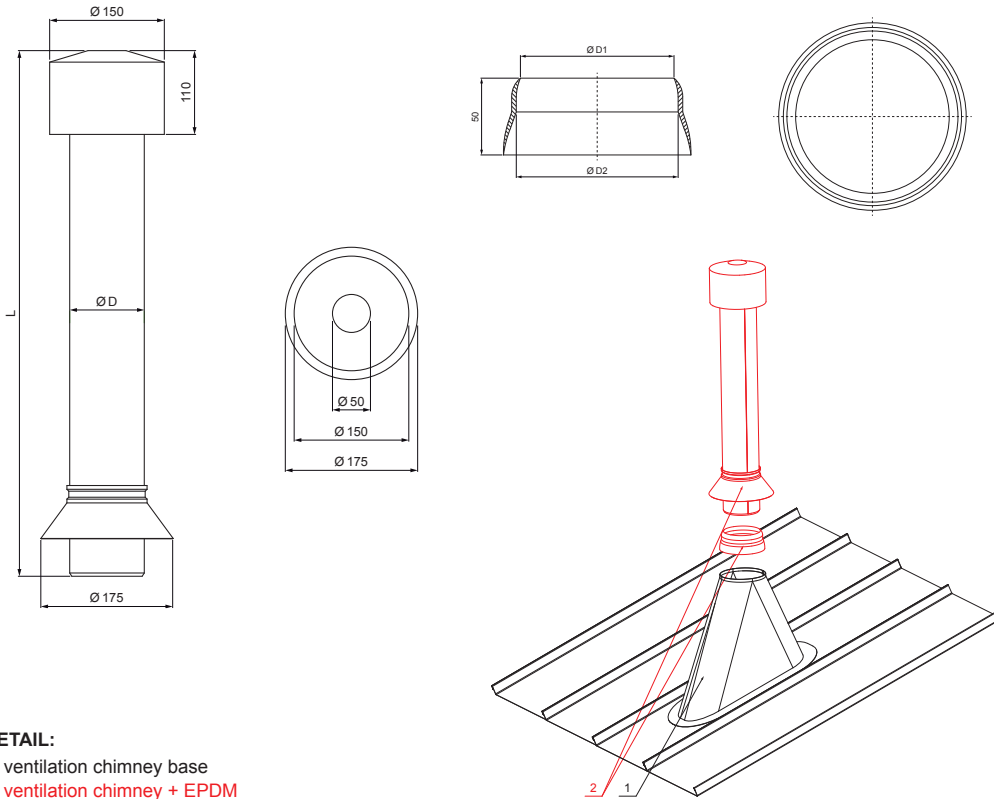


TECHNICAL SHEET

VENTILATION CHIMNEY + EPDM

FALZ-PZN VKE







- DETAIL:**
 1. ventilation chimney base
 2. ventilation chimney + EPDM

TM Color : Galvanized steel pre-painted – Testa di Moro – RAL 8028
 Material: Aluminium – Natur

Dimensions – Ventilation chimney [mm]	
Nominal dimension	Ø D
110	110
125	125

Dimensions – EPDM [mm]		
Nominal dimension	Ø D 1	Ø D 2
110	110	100
125	125	115

INDEX CHANGE	DATE	SIGNATURE	W.C.	WEIGHT kg	SCALE			
SIZE, SEMI-FINISHED PRODUCTS				NOTE	POSITION NUMBER			
AUXILIARY EQUIPMENT				OLD DRAWING	DRAWING NUMBER			
ELABORATED BY Ing. Kluska M.				NAME				
TESTED BY				Ventilation chimney + EPDM				
TECHNOLOGIST				FALZ-PZN VKE				
TECHNOLOGIST				Number of sheets		Sheet 		

Created: 06.06.2026 17:59:23

Technical changes reserved