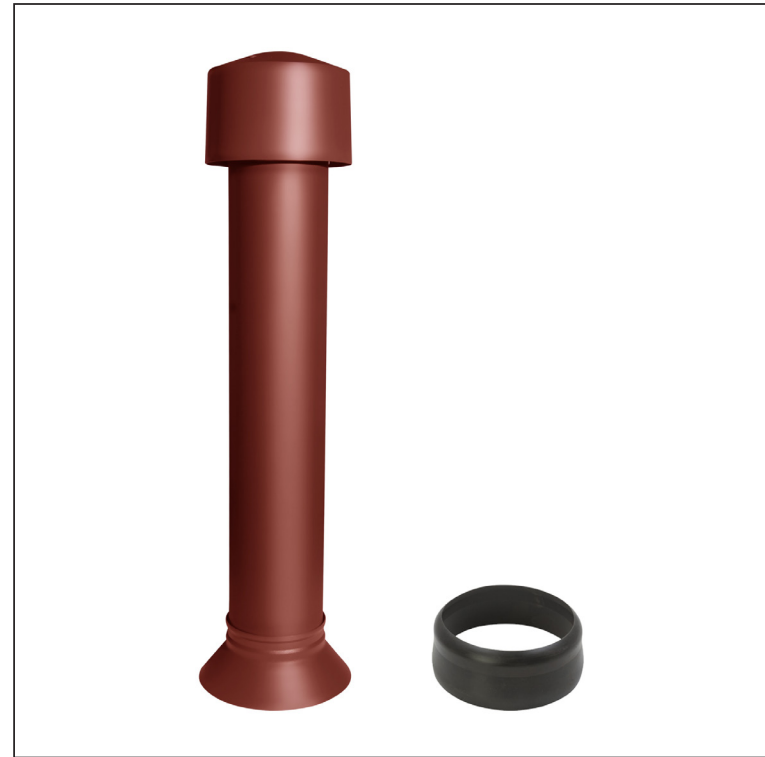
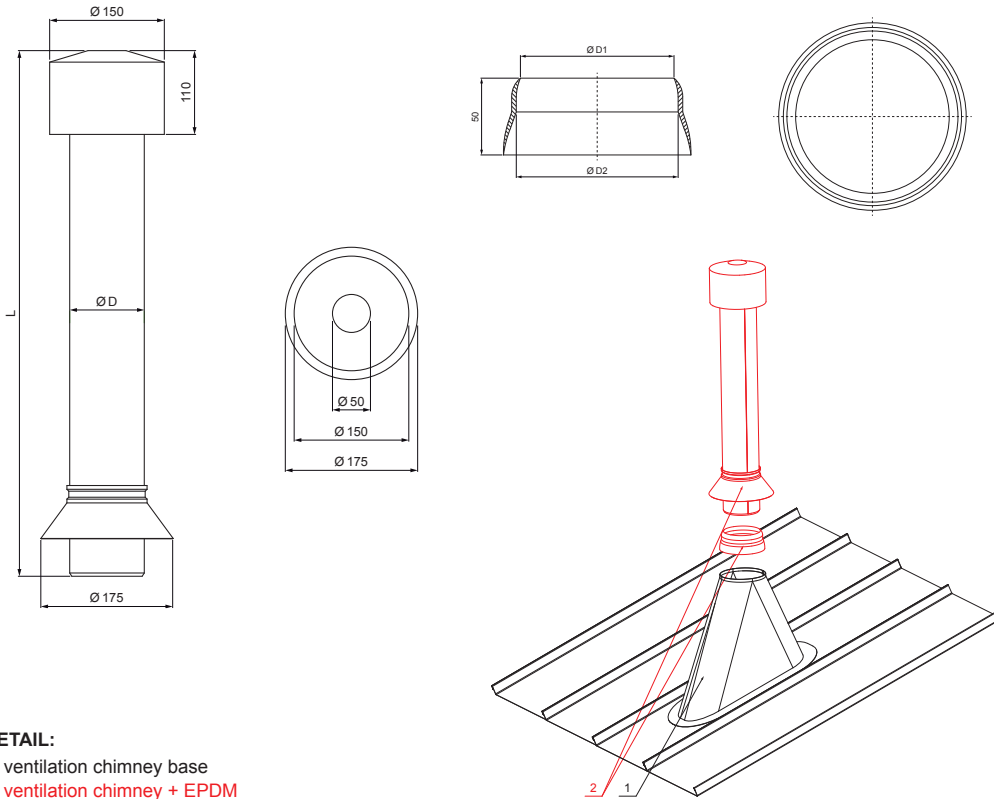


TECHNICAL SHEET

# VENTILATION CHIMNEY + EPDM

# FALZ-PZN VKE



- DETAIL:**  
 1. ventilation chimney base  
 2. ventilation chimney + EPDM

**OC** Color : Galvanized steel pre-painted – Steel red – RAL 3009  
 Material: Aluminium – Natur

| Dimensions – Ventilation chimney [mm] |     |
|---------------------------------------|-----|
| Nominal dimension                     | Ø D |
| 110                                   | 110 |
| 125                                   | 125 |

| Dimensions – EPDM [mm] |       |       |
|------------------------|-------|-------|
| Nominal dimension      | Ø D 1 | Ø D 2 |
| 110                    | 110   | 100   |
| 125                    | 125   | 115   |

|                              |        |              |                            |                        |                        |  |
|------------------------------|--------|--------------|----------------------------|------------------------|------------------------|--|
| INDEX                        | CHANGE | DATE         | SIGNATURE                  | <b>KJG</b><br>QUALITY® | Scan code for 3D model |  |
|                              |        |              |                            |                        |                        |  |
| MATERIAL BRAND               |        |              | W.C.                       | WEIGHT kg              | SCALE                  |  |
| SIZE, SEMI-FINISHED PRODUCTS |        |              |                            | STN STANDARD           | SORTING NUMBER         |  |
| AUXILIARY EQUIPMENT          |        |              |                            | NOTE                   | POSITION NUMBER        |  |
| ELABORATED BY Ing. Kluska M. |        |              |                            |                        |                        |  |
| TESTED BY                    |        |              |                            |                        |                        |  |
| TECHNOLOGIST                 |        | TECHNOLOGIST |                            | OLD DRAWING            | DRAWING NUMBER         |  |
| NAME                         |        |              | Ventilation chimney + EPDM |                        | FALZ-PZN VKE           |  |
|                              |        |              | Number of sheets           |                        | Sheet                  |  |

Created: 21.04.2026 04:33:09

Technical changes reserved