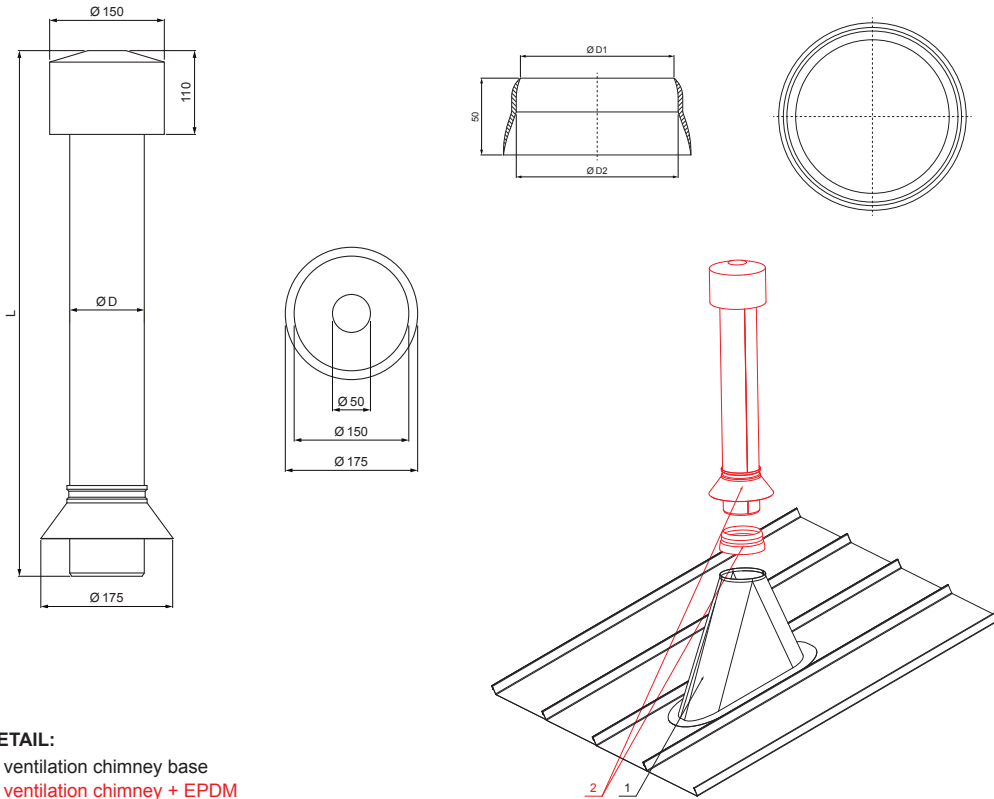


TECHNICAL SHEET

# VENTILATION CHIMNEY + EPDM

# FALZ-PZN VKE






**MM** Color : Galvanized steel pre-painted – Metallic copper – RAL extra  
Material: Aluminium – Natur

**DETAIL:**  
1. ventilation chimney base  
2. ventilation chimney + EPDM

Dimensions – Ventilation chimney [mm]	
Nominal dimension	Ø D
110	110
125	125

Dimensions – EPDM [mm]		
Nominal dimension	Ø D 1	Ø D 2
110	110	100
125	125	115

INDEX CHANGE	DATE	SIGNATURE	W.C.	WEIGHT kg	SCALE			
SIZE, SEMI-FINISHED PRODUCTS				NOTE		POSITION NUMBER		
AUXILIARY EQUIPMENT				OLD DRAWING		DRAWING NUMBER		
ELABORATED BY Ing. Kluska M.				DRAWING NUMBER		DRAWING NUMBER		
TESTED BY				DRAWING NUMBER		DRAWING NUMBER		
TECHNOLOGIST				DRAWING NUMBER		DRAWING NUMBER		
NAME				DRAWING NUMBER		DRAWING NUMBER		
Ventilation chimney + EPDM				Number of sheets		FALZ-PZN VKE Sheet		

Created: 07.06.2026 00:33:19

Technical changes reserved