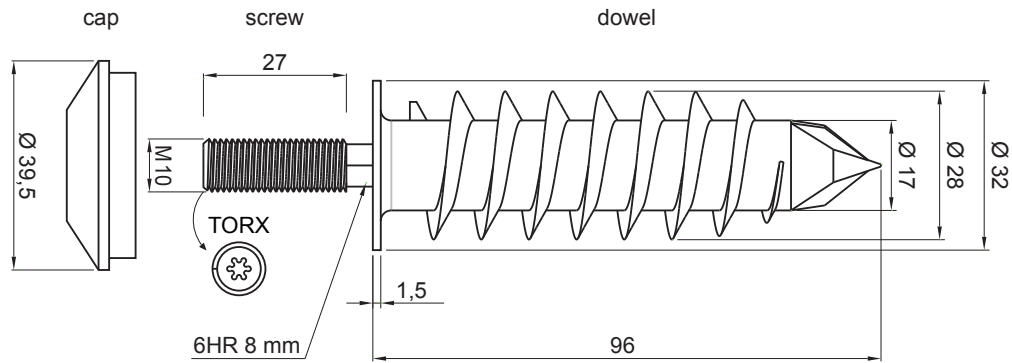




TECHNICAL SHEET

INSULATION DOWEL M10

P-POB-HN IZOL



Nylon

INDEX	CHANGE	DATE	SIGNATURE	 	
MATERIAL BRAND			W.C.	WEIGHT kg	SCALE
SIZE, SEMI-FINISHED PRODUCTS				STN STANDARD	SORTING NUMBER
AUXILIARY EQUIPMENT				NOTE	POSITION NUMBER
ELABORATED BY Ing. Kluska M.				OLD DRAWING	DRAWING NUMBER
TESTED BY					
TECHNOLOGIST			TECHNOLOGIST		
NAME			Insulation dowel M10		
			Number of sheets	P-POB-HN IZOL Sheet	

Created: 04.06.2026 16:53:11

Technical changes reserved