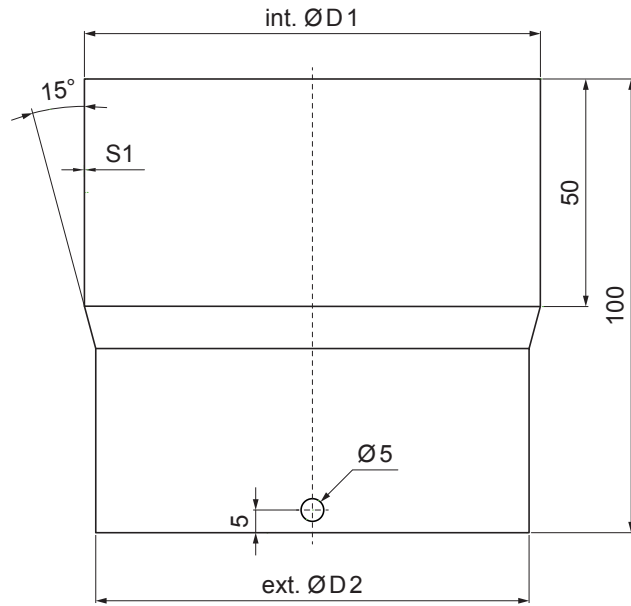


TECHNICAL SHEET

# DOWNPIPE CONNECTOR

# P-PSRU



**TZ** Galvanized steel prepainted – Reseda green – RAL 6011

Dimensions [mm]		
Nominal size	int. $\varnothing D1$	ext. $\varnothing D2$
80	80	76
100	100	96
120	120	116

INDEX	CHANGE	DATE	SIGNATURE		
MATERIAL BRAND			W.C.	WEIGHT kg	SCALE
SIZE, SEMI-FINISHED PRODUCTS				STN STANDARD	SORTING NUMBER
AUXILIARY EQUIPMENT				NOTE	POSITION NUMBER
ELABORATED BY Ing. Kluska M.					
TESTED BY					
TECHNOLOGIST		TECHNOLOGIST		OLD DRAWING	DRAWING NUMBER
NAME			P-PSRU		
Spojka zvodovej rúry			Number of sheets		Sheet

Created: 04.06.2026 13:00:13

Technical changes reserved